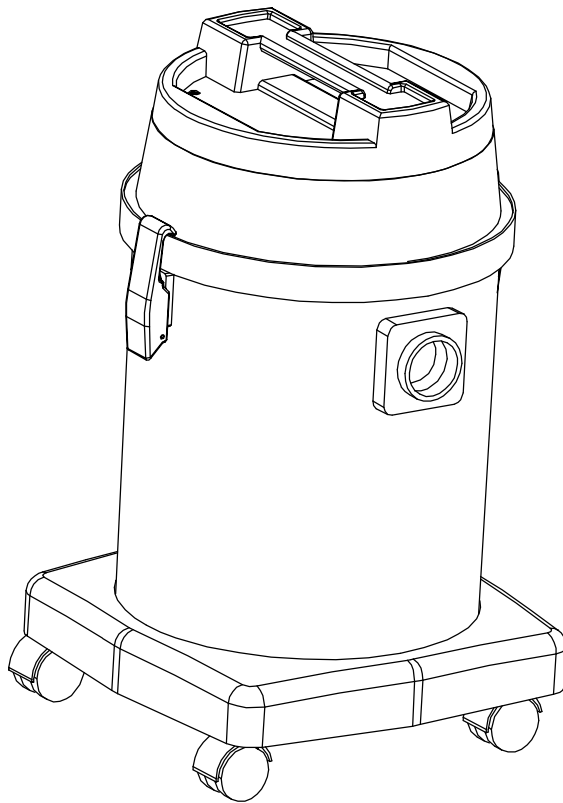


WET & DRY VACUUM

OWNERS MANUAL

IMPORTANT: READ OWNERS MANUAL CAREFULLY
Please fill out & return your warranty card !



MODEL #

TP09WD

REV.00(12-07)

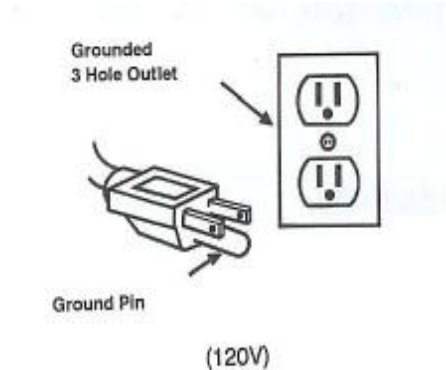
FC40227TP

TABLE OF CONTENTS

Safety Precautions	3
Machine Operation	4
Machine Maintenance & Storage	4
Parts Lists	5-8
Wiring Diagram	9

SAFETY PRECAUTIONS

!!! This machine must be grounded!
Grounding provides a path of least resistance for electrical current. To reduce the risk of electrical shock should the machine malfunction, the machine has a special grounding plug. Do not remove the ground pin under any circumstances!



This machine is intended for Commercial use. It is constructed for use in an indoor environment and is not intended for any other use. Use only recommended accessories.

All operators shall read, understand and exercise the following safety precautions:

1] Do not operate machine:

- Unless trained and authorized.
- Unless you have read and understand operators manual.
- In flammable or explosive areas.
- With a damaged cord or plug.
- If not in proper operating condition.
- In outdoor areas.
- In standing water.
- Without bag/filters in place
- With the use of extension cords.

2] Before operating machine:

- Make sure all safety devices are in place and operate properly.

3] When using machine:

- Do not run machine over cord.
- Do not pull machine by cord or plug.
- Do not pull cord around sharp edges or corners.
- Do not unplug by pulling on the cord.
- Do not stretch cord.
- Do not handle plug with wet hands.
- Keep cord away from heated surfaces.
- Do not pick up burning or smoking debris such as cigarettes, matches or hot ashes.
- Report machine damage or faulty operation immediately.

4] Before leaving or servicing machine:

- Turn off machine.
- Unplug cord from outlet.

5] When servicing machine:

- Unplug cord from outlet.
- Use manufacturer supplied or approved replacements parts.

⚠ To avoid electrical shock, please replace the power cord immediately if any damage is being detected, The replacement must be performed only by an authorized person or by our customer service center.

OPERATING YOUR MACHINE

Dry Operation

The use of a cloth filter bag and a dust bag will improve levels of filtration and is recommended. Always ensure that the container is emptied of any liquid before using for dry pick-up and that the cloth filter is in a clean and dry condition.

Empty the tank when you notice that the performance is reducing. Switch off the machine and remove the power head. Shake the filter in order to remove debris. This should be done while the hose is still connected to avoid dust exiting from the open dirt container connection. After shaking the filter, wait a few moments for the dust to settle. Remove filter from machine and empty container. If the filter's surface appears to be heavily soiled, it is advisable to brush the filter material clean with an ordinary soft household brush. This ensures continued peak performance. Having emptied container, replace filter and power head. You are now ready to start again.

Wet Operation

The float valve assembly must be used at all times for wet pick-up. Always ensure that the container is emptied of any dry dust before using the machine for wet pick-up.

Always be sure to use a wet pick-up nozzle with rubber blades.

During wet pick-up operation the floor is left almost entirely dry .

When there is no longer liquid to be collected or the machine is full. Switch off the power head. Remove the power head and float valve assembly.

Empty the liquid from the container. Replace the float valve assembly and power head.

You are now ready to start work.

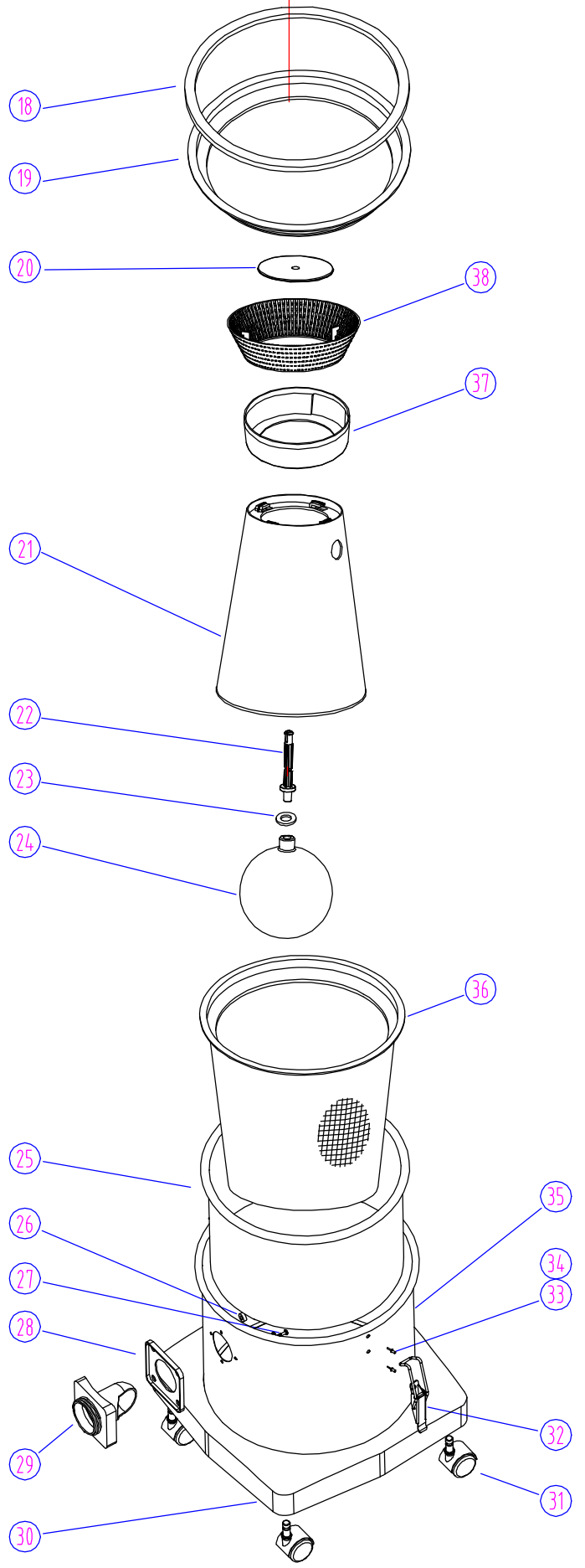
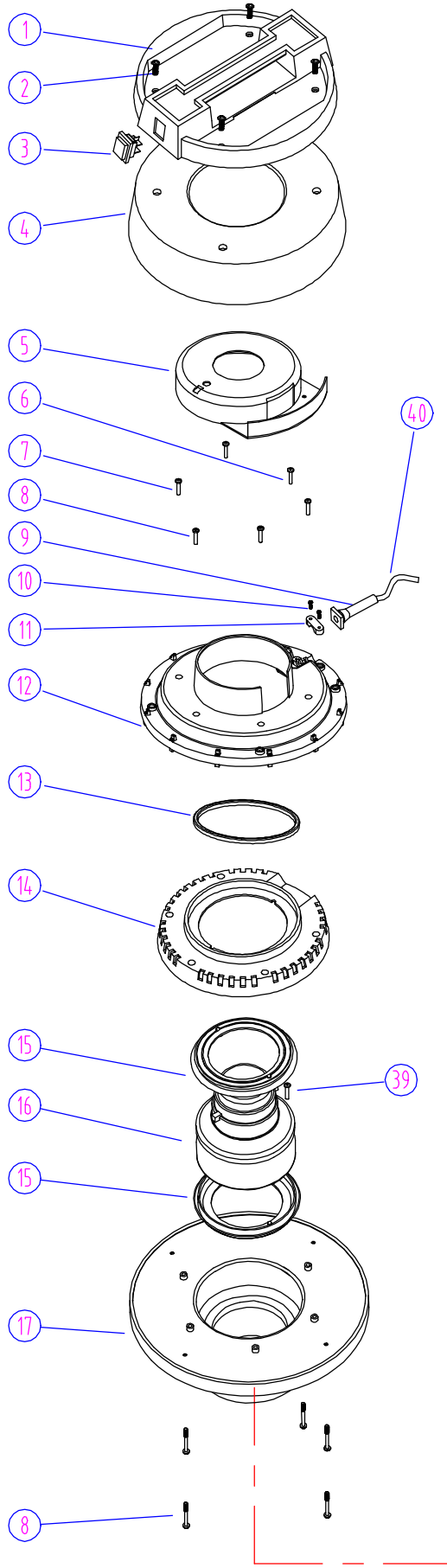
MAINTENANCE

Attention!!! Before performing any cleaning and maintenance on the vacuum cleaner, always disconnect the plug from the source of electricity.

Make sure that the cable is not cut or damaged. (If it is, contact the nearest authorized service center for replacement)

Clean the tank, do not let it stand for a long time with dust or dirty water.

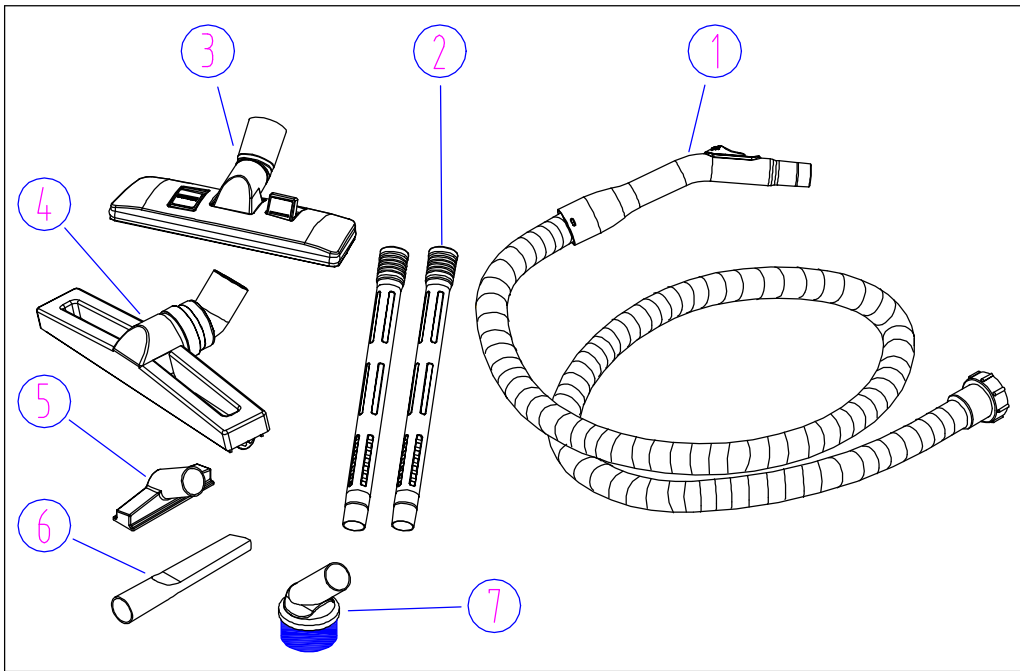
The cloth dust bag can be washed and must be dried again before use. The motor is built for maintenance-free operation and does not need any particular service. The carbon brushes may need to be replaced due to normal wear and tear caused by using the vacuum cleaner over time, and they can be replaced only by our authorized service centers.



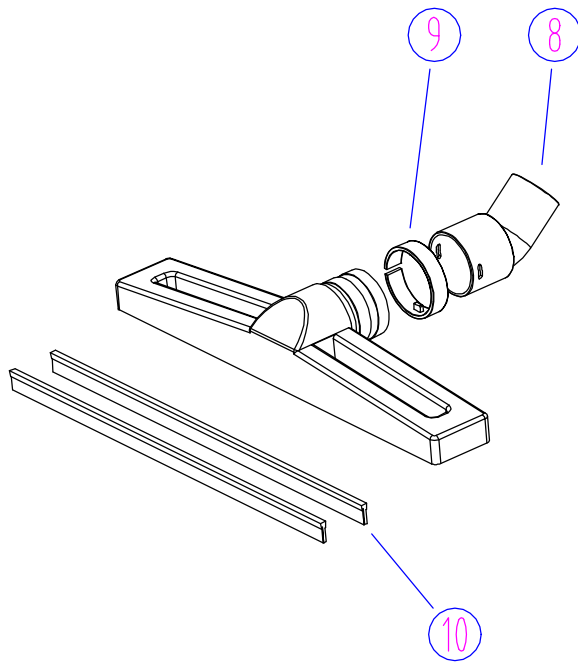
PART LIST FOR TP09WD

<i>DIA NO</i>	<i>PART NO</i>	<i>DESCRIPTION</i>	<i>NO REQ'D</i>
1	FC15235TP	COVER, VAC HEAD	1
2	GT13002	ST5X24	4
3	VA91346	SWITCH	1
4	FC15236TP	TOP COVER, MOTOR	1
5	GT10019	UPPER COVER, MOTOR	1
6	GT13004	ST5X20	1
7	GT13034	ST5X50	4
8	GT13033	ST5X44	6
9	VA21521	GROMMET	1
10	GT13047	ST3X16	2
11	VA21518	CLAMP, BLOCK	1
12	FC25001TP	MOUNTING COVER, MOTOR	1
13	GV25012	SEAL	1
14	FC25002A	COVER, SCREEN	1
15	VA41032	GASKET, MOTOR	2
16	ZD49000A	VACUUM MOTOR	1
17	FC25012TP	MOUNTING BASE, MOTOR	1
18	GV15006	GASKET, MOUNTING PLATE	1
19	GV15005	FRAME, VAC CLOTH	1
20	GV25002	SEAL PLATE	1
21	GV25006	TRUMPET	1
22	GV25003A	POLE, BALL	1
23	GV25007	"O" RING	1
24	GV25009	BALL	1
25	GV15011	VAC CLOTH	1
26	VA13483	WASHER, PLAIN	4
27	GT13028	ST4X13	4
28	GV15010	GASKET, INTAKE	1
29	VA21513	INTAKE	1
30	GV15009TP	MOUNTING BASE, TANK	1
31	VA60303	CASTER	4
32	VA93468	CATCH	2
33	VA13482	WASHER, PLAIN ϕ 5	4
34	VA13462	RIVET, ϕ 4.8X16	4
35	GV35001A	TANK, 35L	1
36	GV25014	BUBBLE BUSTER	1
37	GV25013	FILTER	1
38	GV25010	COVER, FILTER	1
39	VV20509	M5X10, PAN HEAD	1
40	VA65002	POWER CORD, 16#	1

FOR TP09WD



GV0030N



ACCESSORY

<i>DIA NO</i>	<i>PART NO</i>	<i>DESCRIPTION</i>	<i>NO REQ'D</i>
1	VA61600	HOSE, VACUUM ASSY, F32	1
2	VA61512	TUBE, PLASTIC	2
3	VA61500	COMBINATION TOOL	1
4	GV0030N	WET PICK-UP TOOL 300mm	1
5	VA20807	UPHOLSTERY TOOL	1
6	VA20809	CREVICE TOOL	1
7	VA20808	DUSTING TOOL	1
8	VA20207-2	ADAPTOR F38	1
9	VA20207-3	CLAMP, ADAPTOR	1
10	VA20208-8	RUBBER BLADES, 300mm	2

Wiring Diagram

TP09WD

