

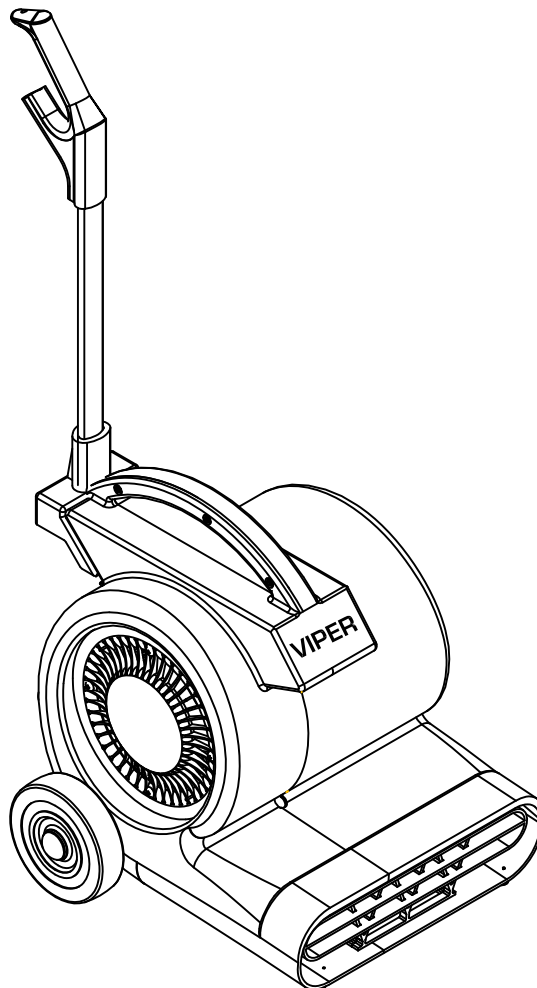


WHIPTAIL SERIES AIR MOVER

www.usviper.com

# OWNERS MANUAL

IMPORTANT: READ OWNERS MANUAL CAREFULLY  
Please fill out & return your warranty card !



MODEL #

WT3SPD

SERIAL #

VIPER NORTH AMERICA  
P.O. BOX 104  
HAMILTON, MI 49419

[866] 418-4737  
[866] 41-VIPER

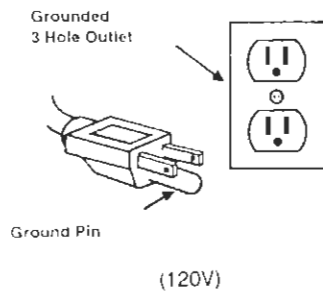
VIPER...exceptional  
value

REV.06(08-07)  
30521



## **SAFETY PRECAUTIONS**

!!! This machine must be grounded!  
Grounding provides a path of least resistance for electrical current. To reduce the risk of electrical shock should the machine malfunction, the machine has a special grounding plug. Do not remove the ground pin under any circumstances!



This machine is intended for commercial use. It is constructed for use in an indoor environment and is not intended for any other use. Use only recommended accessories.

All operators shall read, understand and exercise the following safety precautions:

### 1) Do not operate machine:

- Unless trained and authorized.
- Unless you have read and understand operators manual.
- In flammable or explosive areas.
- With a damaged cord or plug.
- If not in proper operating condition.
- In outdoor areas.

- In standing water
- Without bag/filters in place
- With the use of extension cords.

### 2) Before operating machine:

- Make sure all safety devices are in place and operate properly.

### 3) When using machine:

- Do not run machine over cord.
- Do not pull machine by cord or plug.
- Do not pull cord around sharp edges or corners.
- Do not unplug by pulling on the cord.
- Do not stretch cord.
- Do not handle plug with wet hands.
- Keep cord away from heated surfaces.
- Do not pick up burning or smoking debris such as cigarettes, matches or hot ashes.
- Report machine damage or faulty operation immediately.

### 4) Before leaving or servicing machine:

- Turn off machine.
- Unplug cord from outlet.

### 5) When servicing machine:

- Unplug cord from outlet.
- Use manufacturer supplied or approved replacements parts.



**CONGRATULATIONS** on your purchase of a Viper product, and welcome to the **V.I.P.** family. We appreciate your business and will do everything in our power to keep you happy with your purchase for many years to come.

As part of the **V.I.P.** family, you are entitled to the best protection by one of the most comprehensive warranties in the industry.

Thank-you for purchasing Viper products!

Tom Vander Bie, **CEO**

---

## **TABLE OF CONTENTS**

<b>Safety Precautions</b>	<b>4</b>
<b>Machine Operation</b>	<b>5</b>
<b>Machine Maintenance &amp; Storage</b>	<b>5</b>
<b>Parts List</b>	<b>6—9</b>
<b>Wiring Diagram</b>	<b>10</b>

# Operation of Air Blower

\* Read operators manual thoroughly prior to operating or servicing this machine.

## **BASIC OPERATION**

1) Check machine for any obstructions in fan prior to operation.

\* If an item blocks the intakes of the blower, this will hurt the performance of the blower, and could cause the motor to overheat.

2) Adjust machine to desired position for operation by either pulling it back to it's pre-set height adjustments, or by lowering the "kick stand" and setting the machine on the stand.

3) Plug power cord into a grounded outlet.

\* **Do not use an extension cord in conjunction with the standard power cord.**

4) This machine has three power settings. Turn the power knob to the desired speed. Low = 1, Med = 2 & High = 3.

5) To stop the machine at any time, simply turn the power knob to the "off" position.

\* **Never stick any object into the air inlet vents or the air outlet vent.**

## **MAINTENANCE**

To keep the machine performing well for many years, please follow the following maintenance procedures.

\* **Always confirm that the machine is unplugged prior to performing any maintenance or repairs.**

1) Unplug machine as soon as you are done using it.

2) Wrap the power cord around the carrying handle.

3) Check power cord for any damage. If any damage is detected, replace the cord immediately.

4) If you have the wheel kit, lubricate wheels with a water resistant lubricant every month.

5) Check machine for loose or missing nuts and bolts, and replace as necessary.

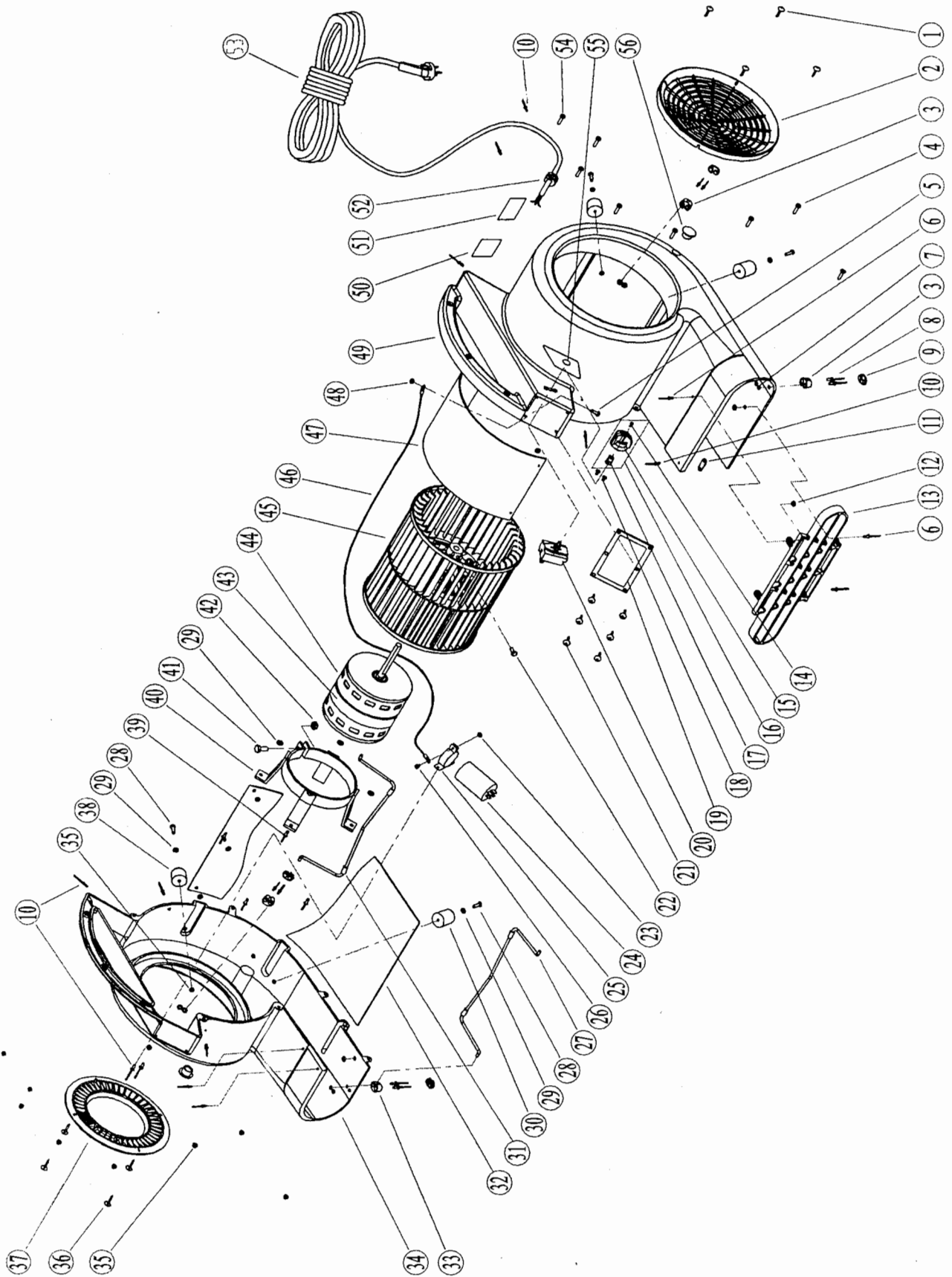
6) Clean the outside of the machine with a mild cleaner.

## **STORAGE**

1) Unplug machine from power source.

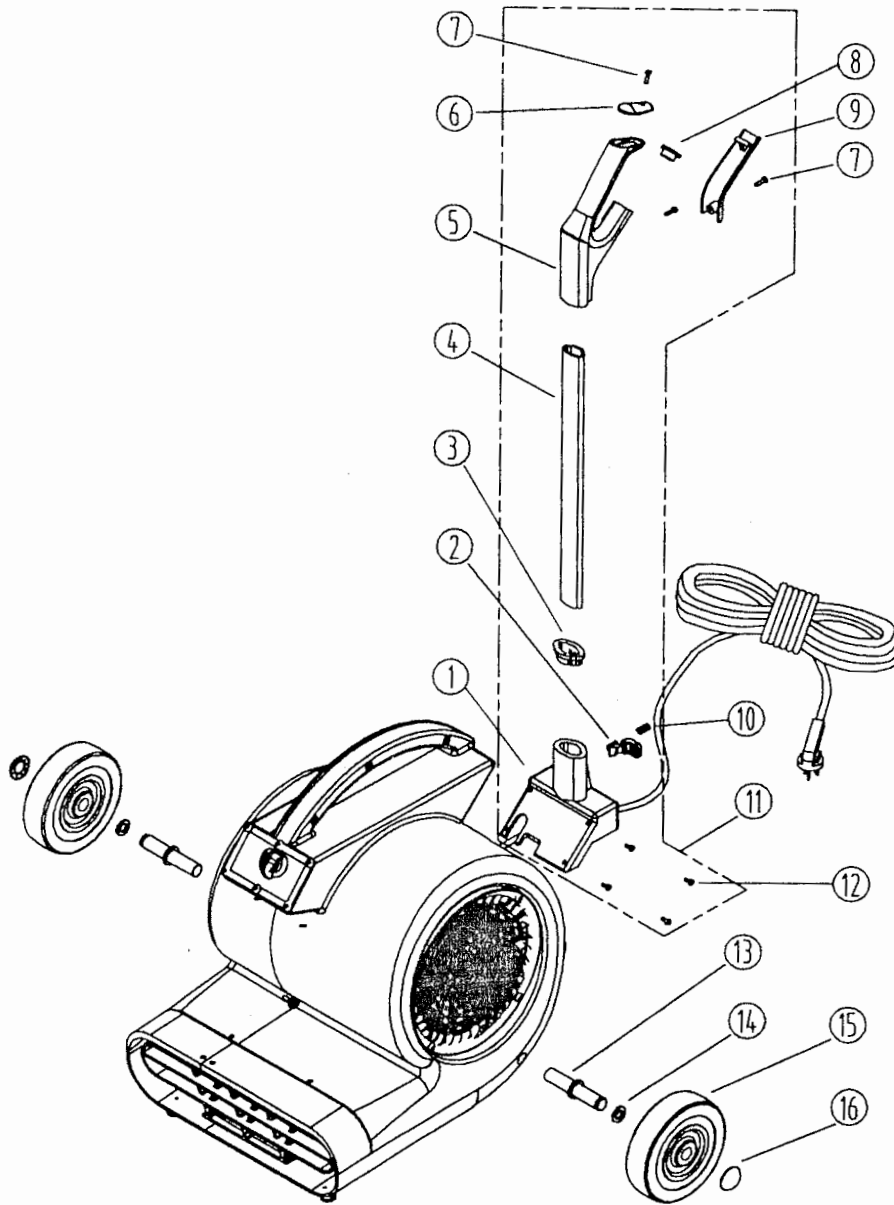
2) Store in upright position in a dry area.

# PARTS LIST



## PARTS LIST FOR WT3SPD

DIA NO	PART NUMBER	DESCRIPTION	NO REQ'D
1	VV13649	SELF-TAPPING SCREW,ST4 x 25	4
2	VV30107	LEFT NET,VENT,INTAKE	1
3	VV30102	BLOCK,STAND,RIGHT FRONT	2
4	VF13613	SCREW,M5 x 20	8
5	VF13473	SCREW,PH,M4X16	1
6	VV13647	RIVET,φ4.8 x 16	4
7	VV13653	WASHER,PLAIN,φ3.5 x φ10 x 1	15
8	VV13645	RIVET,φ3.2 x 16	8
9	VV30124	RUBBER,BLOCK,STAND	4
10	VA13485	RIVET,φ3.2 x 12	11
11	VV30119	CONNECTING PLATE	1
12	VA13482	WASHER,PLAIN,φ5 x φ11 x 1	4
13	VV30112	NET,VENT,OUTLET	1
14	VF14078	SCREW,PH, M 3X10	1
15	VV30104	ROTATOR,SWITCH	1
16	VV30015	ROTATOR REPLACEMENT KIT	1
17	VV30105	HOLDER,SWITCH	1
18	VV13658	SCREW,FH,M5X20	2
19	VV30500B	PLATE WITH LABEL	1
20	VV30180	SWITCH	1
21	VV13608A	SELF TAPPING SCREW,ST4X12	6
22	VV13656	SCREW,M8 x 16	1
23	VV13609	NUT,M4	1
24	VV30143	CAPACITOR(30UF/400V)	1
25	VV30014	CLAMP,CAPACITOR	1
26	VV13642	SCREW,M4 x 8	1
27	VV30115	STAND	2
28	VA13475	SCREW,PH,M5 x 25,SST	4
29	VV13030	WASHER,PLAIN,φ6.5 xφ12 x 1	8
30	VV30114-1	RUBBER STAND,38mm	2
31	VV30117	RUBBER SLEEV	4
32	VV30118	PLATE,CHAMBER	1
33	VV30200	BLOCK,STAND,LEFT FRONT	2
34	VV30100A	HOUSING,LEFT	1
35	GT13022	NUT,M5	13
36	VV13640	SELF-TAPPING SCREW,M4 x 16	4
37	VV30110	RIGHT NET,VENT,INTAKE	1
38	VV30114	RUBBER,STAND,48mm	2
39	VV13648	RIVET,φ6.4 x 18	4
40	VV30011	CLAMP,MOTOR	1
41	VV13657	SCREW,M8 x 25	1
42	VF13503	NUT,M8	1
43	VV30116	GASKET,MOTOR	1
44	YQ61000	MOTOR,115V,3/4HP	1
45	VV30010	WHEEL,9"	1
46	VA21570	JUMP WIRE	1
47	VV30118A	PLATE,CHAMBER	1
48	VV20249	NUT,M4,SST	1
49	VV30101A	HOUSING,RIGHT	1
50	VF40994	READ MANUAL,LABLE	1
51	VV30505B	SERIAL TAG	1
52	VV30182	POWER BUSHING	1
53	VV30183	POWER CORD	1
54	VV13636	SCREW,M5 x 30	3
55	VV30529	LABEL,SWITCH	1
56	VV30122	COVER,AXEL	2



**THE AXLE HAS A VERY CLOSE TOLERANCE FIT.  
LUBRICATE IT WITH SOME WATER BEFORE  
DRIVING IT INTO THE MOLDED RECIEVER.**



# Wiring Diagram

## WT3SPD

