

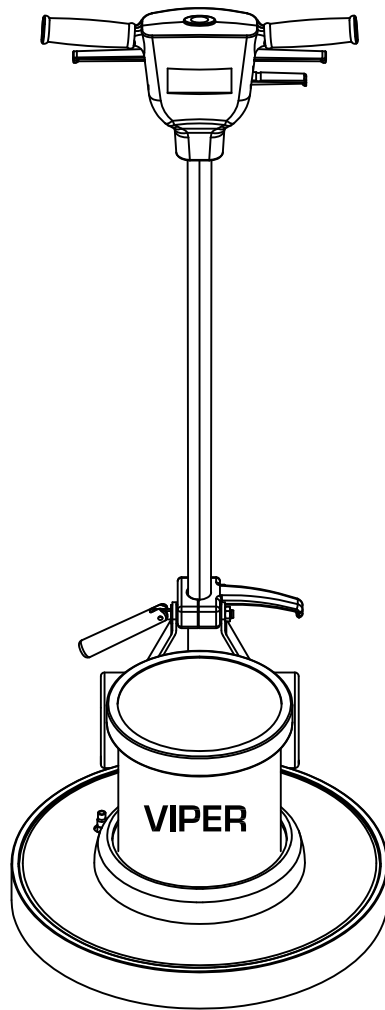


VENOM DUAL SPEEDS

www.usviper.com

OWNERS MANUAL

IMPORTANT: READ OWNERS MANUAL CAREFULLY
Please fill out & return your warranty card !



MODEL #

VN20DS

SERIAL #

VIPER NORTH AMERICA
P.O. BOX 104
HAMILTON, MI 49419

VIPER...exceptional
value

[866] 418-4737
[866] 41-VIPER

REV.06(08-07)
41053



CONGRATULATIONS on your purchase of a Viper product, and welcome to the **V.I.P.** family. We appreciate your business and will do everything in our power to keep you happy with your purchase for many years to come.

As part of the V.I.P. family, you are entitled to the best protection by one of the most comprehensive warranties in the industry.

Thank-you for purchasing Viper products!

Tom Vander Bie, CEO

TABLE OF CONTENTS

Safety Precautions	4
Machine Operation	5
Machine Maintenance & Storage	5
Parts List	9
Wiring Diagram	10

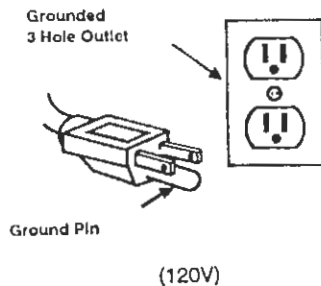


SAFETY PRECAUTIONS

GROUNDING INSTRUCTIONS

General -This floor – finishing machine shall be grounded while in use to protect the operator from electric shock. The machine is provided with a three – conductor cord and a three-contact grounding type attachment plug to fit the proper grounding type receptacle. The green (or green and yellow) conductor in the cord is the grounding wire. Never connect this wire to other than the grounding pin of the attachment plug.

This machine is for use on a nominal 120-volt circuit and has a grounding plug that resembles the plug illustrated in figure below. Make sure that the machine is connected to an outlet having the same configuration as the plug. No adapter should be used with this machine.



This machine is intended for Commercial use. It is constructed for use in an indoor environment and is not intended for any other use. Use only recommended accessories.

All operators shall read, understand and exercise the following safety precautions:

- 1) Do not operate machine:
 - Unless trained and authorized.
 - Unless you have read and understand operators manual.
 - In flammable or explosive areas.
 - With a damaged cord or plug.
 - If not in proper operating condition.
 - In outdoor areas.
 - In standing water
 - With the use of extension cords.
- 2) Before operating machine:
 - Make sure all safety devices are in place and operate properly.
- 3) When using machine:
 - Do not run machine over cord.
 - Do not pull machine by cord or plug.
 - Do not pull cord around sharp edges or corners.
 - Do not unplug by pulling on the cord.
 - Do not stretch cord.
 - Do not handle plug with wet hands.
 - Keep cord away from heated surfaces.
 - Report machine damage or faulty operation immediately.
- 4) Before leaving or servicing machine:
 - Turn off machine.
 - Unplug cord from outlet.
- 5) When servicing machine:
 - Unplug cord from outlet.
 - Use manufacturer supplied or approved replacements parts.

Operation of Floor Machines

*** READ OPERATORS MANUAL THOROUGHLY PRIOR TO OPERATING OR SERVICING THIS MACHINE.**

GENERAL USE

1. Remove any obstructions or other obstacles in the area which is to be cleaned.
2. Place the handle in the upright position and tilt machine back until handle rests on the floor
*** Be sure the machine is not plugged into an outlet**
3. Attach the pad driver or brush to the machine by placing the clutch plate over the gearbox hub and turning the driver brush $\frac{1}{4}$ turn.
4. Place machine back into its upright position.
5. Plug power cord into a grounded outlet.
*** Never use an extension cord in conjunction with the standard power cord.**
6. The handle height may be adjusted by lifting up the compression handle which is located on the right side of the handle tube about 1 foot above floor level. Release the compression handle and adjust handle to safe operating height, then push back down on the compression handle to lock the handle in operating position.
7. Select either low speed (185 rpm) or high speed (330 rpm) by pushing the motor mounted switch into the low or high position.
*** Never change the speed while operating the machine. Be sure the power is turned off prior to changing the speed.**
8. To start the machine, press the red safety button on the top of the upper switch housing, and then squeeze either of the operating triggers. (The safety button must be depressed prior to squeezing the operating triggers.)
9. When the machine is in operation, both hands should be placed on the switch housing (upper handle).

10. During operation, to make the machine go right, gently raise the handle. To make the machine go left, gently lower the handle.
11. To stop the machine at any time, simply release the operating trigger(s) and the machine will stop automatically.

MAINTENANCE

To keep the machine performing well for many years, please follow the following maintenance procedures.

*** Always confirm that the machine is unplugged prior to performing any maintenance or repairs.**

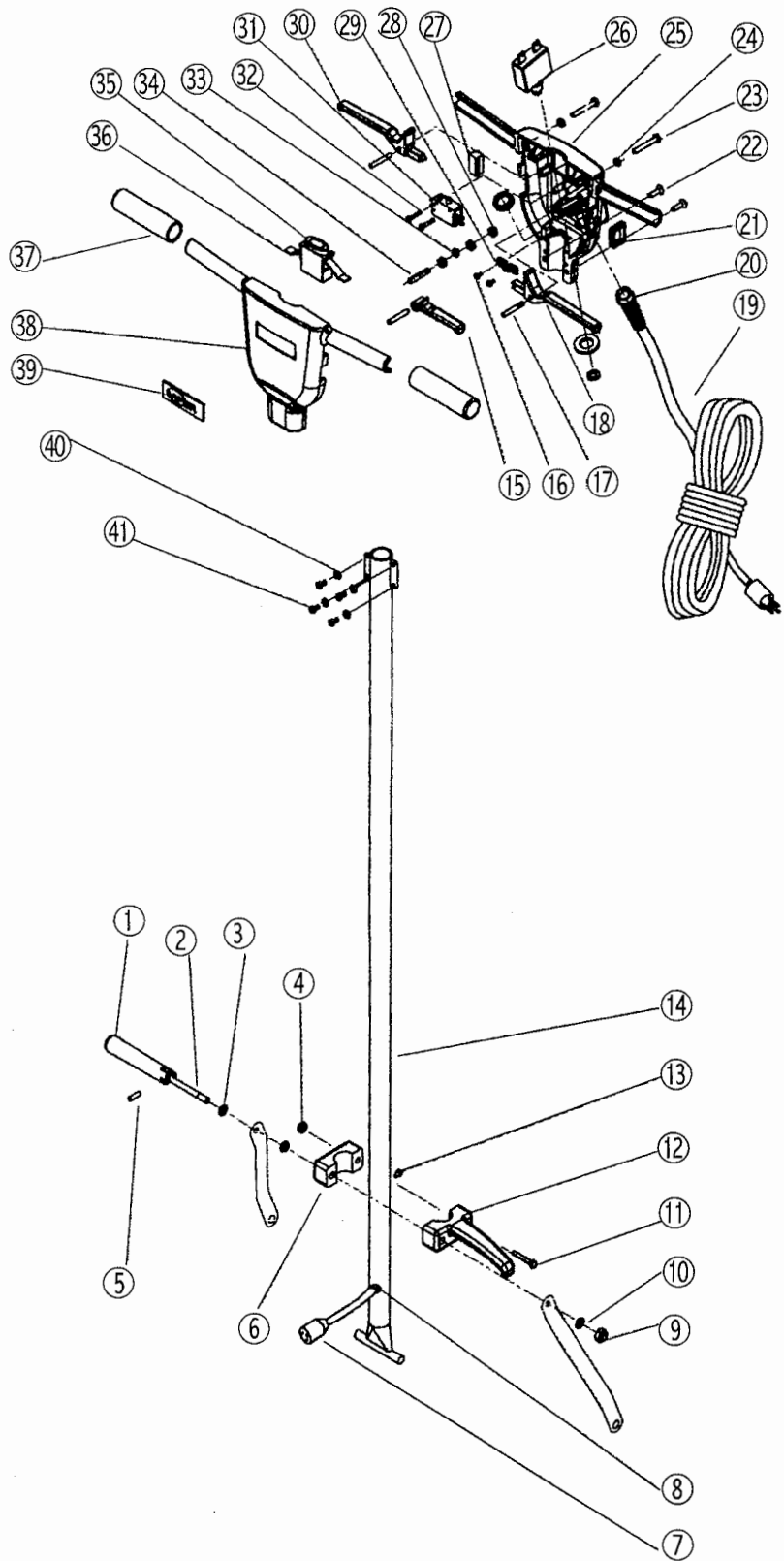
1. Unplug machine as soon as you are done using it.
2. Tilt machine back and remove pad driver or brush.
*** Never store a low speed machine with the pad driver or brush mounted to the machine.**
3. Clean the outside of the machine with a mild cleaner.
4. Check power cord for any damage. If damage is detected, replace power cord immediately.
5. Lubricate wheels with a water resistant lubricant once a month.
6. Check machine for loose or missing nuts and bolts, and replace as necessary.
7. If the machine is used in a dusty environment, you may remove the motor cover and blow the motor clean with compressed air. This will ensure proper ventilation, and allow the motor to run cooler.

STORAGE

1. Unplug machine from power source and wrap cord on handle.
2. Tilt machine back and remove pad driver or brush.
3. Store machine in upright position and in a dry area.

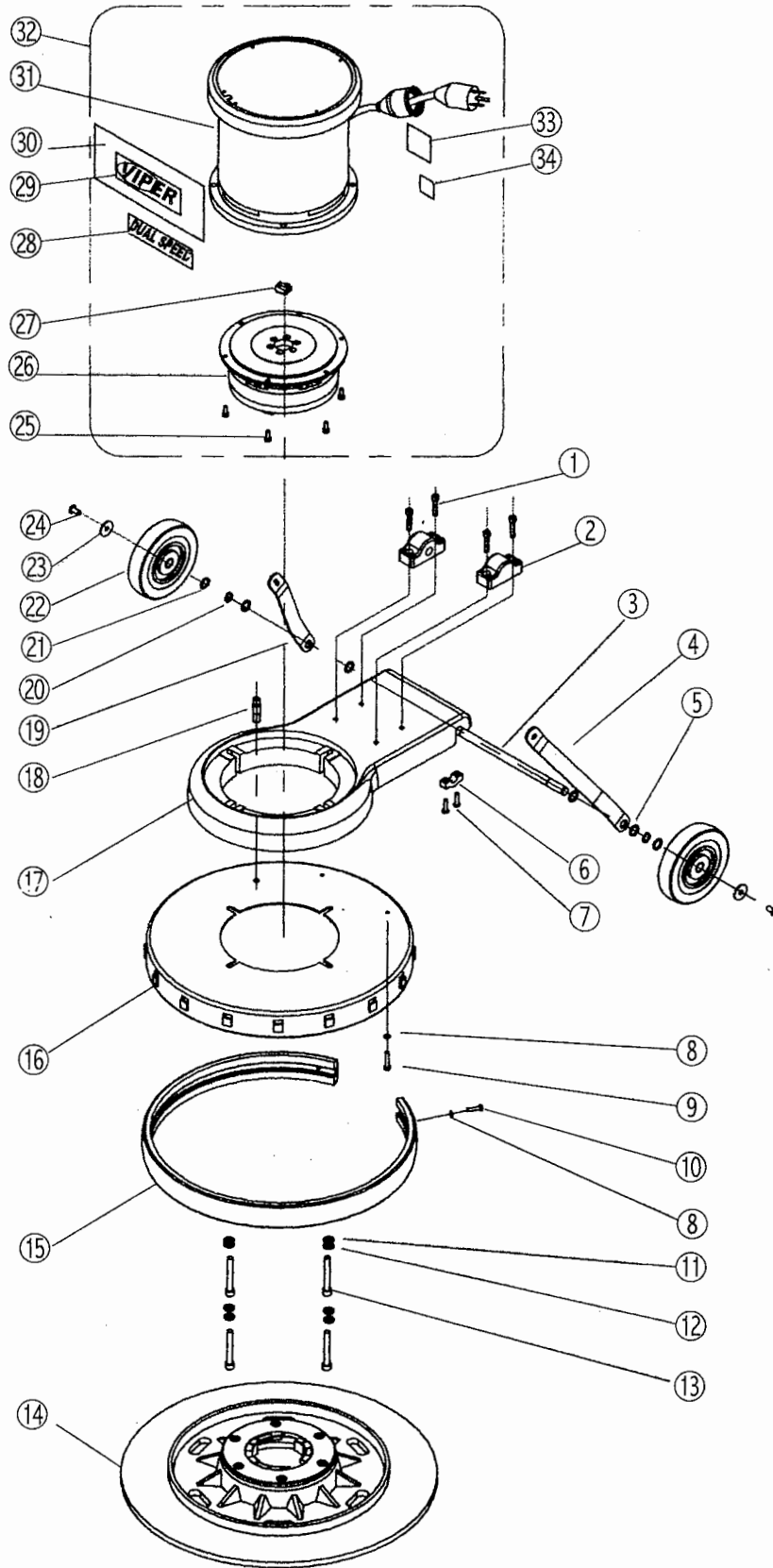
PARTS LIST

HANDLE GROUP FOR VN20



DIA NO	PART NUMBER	DESCRIPTION	NO REQ'D
1	VF30016	HANDLE RELEASE	1
2	VF30015	BOLT HANDLE RELEASE	1
3	VF30018	WASHER,PLAIN	2
4	VF13503	NUT,M8 X 5.7	1
5	VF30017	SCREW	1
6	VF30014	COVER,HOOK,CORD	1
7	VF45120	CORD,HANDLE	1
8	VF50120	GROMMET	1
9	VF13504	NUT,M10	1
10	VF13517	WASHER,PLAIN	1
11	VF14114	SCREW M8 X 55	1
12	VF30013	HOOK,CORD	1
13	VF13493	SCREW,M6 X 10	1
14	AS112205	TUBE	2
15	VF44018	LEVEL,SOLUTION	1
16	VV13661	SCREW,M4 X 12	2
17	VF48306	PIN	3
18	VF44016	LEVEL,LEFT,SWITCH	1
19	VF45119	CORD,POWER SUPPLY	1
20	AS22009	STRAIN RELIEF,CORD	1
21	VF30108	GASKET,HANDLE,SOLUTION	1
22	VF14223	SCREW M6 X 25	2
23	VF14218	SCREW M6 X 45	2
24	VF13528	TEETH WASHER Ø6	2
25	VF30102	REAR COVER	1
26	VF99012	CIRCUIT BREAKER 12A/1.5HP	1
27	VF30109	COVER	1
28	GT13013	NUT,M4	3
29	VF48309	CLAMP BLOCK	1
30	VF44017	LEVEL,RIGHT,SWITCH	1
31	VF99023	SWITCH ASSY	1
32	VF14212	SCREW,M3 X 25	2
33	VF13527	TEETH WASHER Ø4	1
34	VF13526	SCREW M4 X 30	1
35	VF46705	SAFETY BOTTOM	1
36	GV40218	SPRING,SAFETY BLOCK	1
37	VF48310	HAND GRIP	2
38	VF30101	FRONT COVER	1
39	VF47035A	LOGO	1
40	VF13604	TEETH WASHER Ø5	4
41	VF14222	SCREW M5 X 12	4

BASE GROUP FOR VN20



DIA NO	PART NUMBER	DESCRIPTION	NO REQ'D
1	GT13080	SCREW M6 X 30	4
2	VF30011	CLAMP BLOCK,HANDLE	1
3	AS112210	AXLE	1
4	VF30020	BRACKET,LEFT HANDLE	1
5	VV20274	WASHER,PLAIN Ø13	4
6	GV40235	CLAMP BLOCK,AXLE	2
7	VV13621	SELF-TAPPING SCEW ST5 X 20	4
8	VF13474A	WASHER,PLAIN Ø5	4
9	VF13613	SCREW M5 X 20	2
10	VA13474	SCREW M5 X 16	2
11	VF13524	WASHER,PLAIN Ø8	4
12	VF13519	WASHER,LOCK Ø8	4
13	VF13618	SCREW 5/16" X 2 1/4"	4
14	MF-VF022	19"PAD HOLDER	1
15	VF30004	BUMPER 20"	1
16	VF30006	FRAME 20"	1
17	VF30008	ALUMINIUM BASE,MOTOR	1
18	VF40152	BARB HOSE	1
19	VF30019	BRACKET,HANDLE,RIGHT	1
20	VF13520	WASHER,LOCK	2
21	VF50119	WASHER,LOCK	2
22	VF48202	WHELL 5"	2
23	VF13666	WASHER,Ø6	2
24	VF44012	SCREW,M6 X 12.7	2
25	VF13612	M5 X 12	6
26	VF999802A	GEAR BOX	1
27	VF99021	COULPING	1
28	VF40990	LABEL,DUAL SPEED	1
29	VF41079	LABEL,VIPER	1
30	VF30025	LABEL,MOTOR	1
31	VF99006	DUAL SPEED MOTOR	1
32	VF99022	MOTOR W/GEAR BOX	1
33	VF40994	READ MANUAL LABEL	1
34	VF40997	SERIAL TAG	1

Wiring Diagram

