

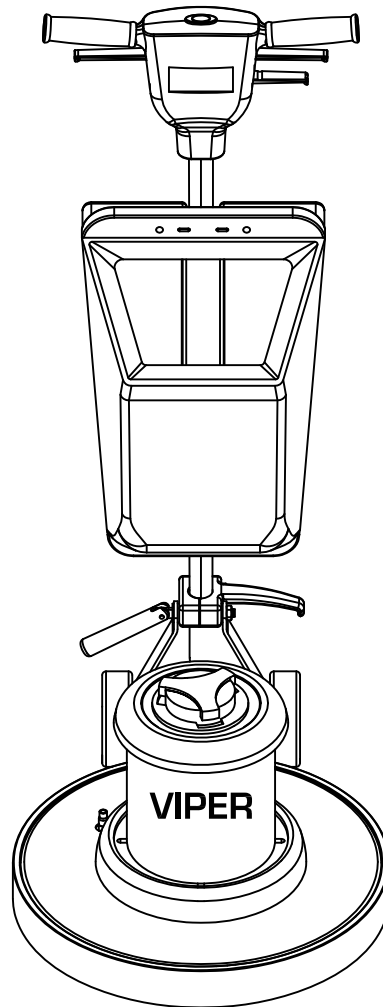


VENOM LOW SPEEDS

www.usviper.com

# OWNERS MANUAL

IMPORTANT: READ OWNERS MANUAL CAREFULLY  
Please fill out & return your warranty card !



MODEL #

VN1720P

SERIAL #

VIPER NORTH AMERICA  
P.O. BOX 104  
HAMILTON, MI 49419

VIPER...exceptional  
value

[866] 418-4737  
[866] 41-VIPER

REV.06(08-07)  
41043



**CONGRATULATIONS** on your purchase of a Viper product, and welcome to the **V.I.P.** family. We appreciate your business and will do everything in our power to keep you happy with your purchase for many years to come.

As part of the **V.I.P.** family, you are entitled to the best protection by one of the most comprehensive warranties in the industry.

**Thank-you** for purchasing Viper products!

**Tom Vander Bie, CEO**

---

## **TABLE OF CONTENTS**

<b>Safety Precautions</b>	<b>4</b>
<b>Machine Operation</b>	<b>5</b>
<b>Machine Maintenance &amp; Storage</b>	<b>5</b>
<b>Parts List</b>	<b>6—9</b>
<b>Wiring Diagram</b>	<b>10</b>

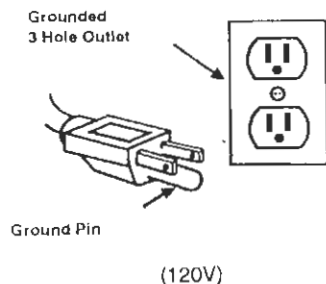


## SAFETY PRECAUTIONS

### GROUNDING INSTRUCTIONS

General -This floor – finishing machine shall be grounded while in use to protect the operator from electric shock. The machine is provided with a three – conductor cord and a three-contact grounding type attachment plug to fit the proper grounding type receptacle. The green (or green and yellow) conductor in the cord is the grounding wire. Never connect this wire to other than the grounding pin of the attachment plug.

This machine is for use on a nominal 120-volt circuit and has a grounding plug that resembles the plug illustrated in figure below. Make sure that the machine is connected to an outlet having the same configuration as the plug. No adapter should be used with this machine.



This machine is intended for Commercial use. It is constructed for use in an indoor environment and is not intended for any other use. Use only recommended accessories.

All operators shall read, understand and exercise the following safety precautions:

#### 1) Do not operate machine:

- Unless trained and authorized.
- Unless you have read and understand operators manual.
- In flammable or explosive areas.
- With a damaged cord or plug.
- If not in proper operating condition.
- In outdoor areas.
- In standing water
- With the use of extension cords.

#### 2) Before operating machine:

- Make sure all safety devices are in place and operate properly.

#### 3) When using machine:

- Do not run machine over cord.
- Do not pull machine by cord or plug.
- Do not pull cord around sharp edges or corners.
- Do not unplug by pulling on the cord.
- Do not stretch cord.
- Do not handle plug with wet hands.
- Keep cord away from heated surfaces.
- Report machine damage or faulty operation immediately.

#### 4) Before leaving or servicing machine:

- Turn off machine.
- Unplug cord from outlet.

#### 5) When servicing machine:

- Unplug cord from outlet.
- Use manufacturer supplied or approved replacements parts.

# Operation of Floor Machines

**\* READ OPERATORS MANUAL THOROUGHLY PRIOR TO OPERATING OR SERVICING THIS MACHINE.**

## GENERAL USE

1. Remove any obstructions or other obstacles in the area which is to be cleaned.
2. Place the handle in the upright position and tilt machine back until handle rests on the floor
  - \* Be sure the machine is not plugged into an outlet
3. Attach the pad driver or brush to the machine by placing the clutch plate over the gearbox hub and turning the driver / brush ¼ turn.
4. Place machine back into its upright position.
5. Plug power cord into a grounded outlet.
  - \* Never use an extension cord in conjunction with the standard power cord.
6. The handle height may be adjusted by lifting up the compression handle which is located on the right side of the handle tube about 1 foot above floor level. Release the compression handle and adjust handle to safe operating height, then push back down on the compression handle to lock the handle in operating position.
7. To start the machine, press the red safety button on the top of the upper switch housing, and then squeeze either of the operating triggers. (the safety button must be depressed prior to squeezing the operating triggers.)
8. When the machine is in operation, both hands should be placed on the switch housing (upper handle).
9. During operation, to make the machine go right, gently raise the handle. To make the machine go left, gently lower the handle.

10. To stop the machine at any time, simply release the operating trigger(s) and the machine will stop automatically.

## MAINTENANCE

To keep the machine performing well for many years, please follow the following maintenance procedures.

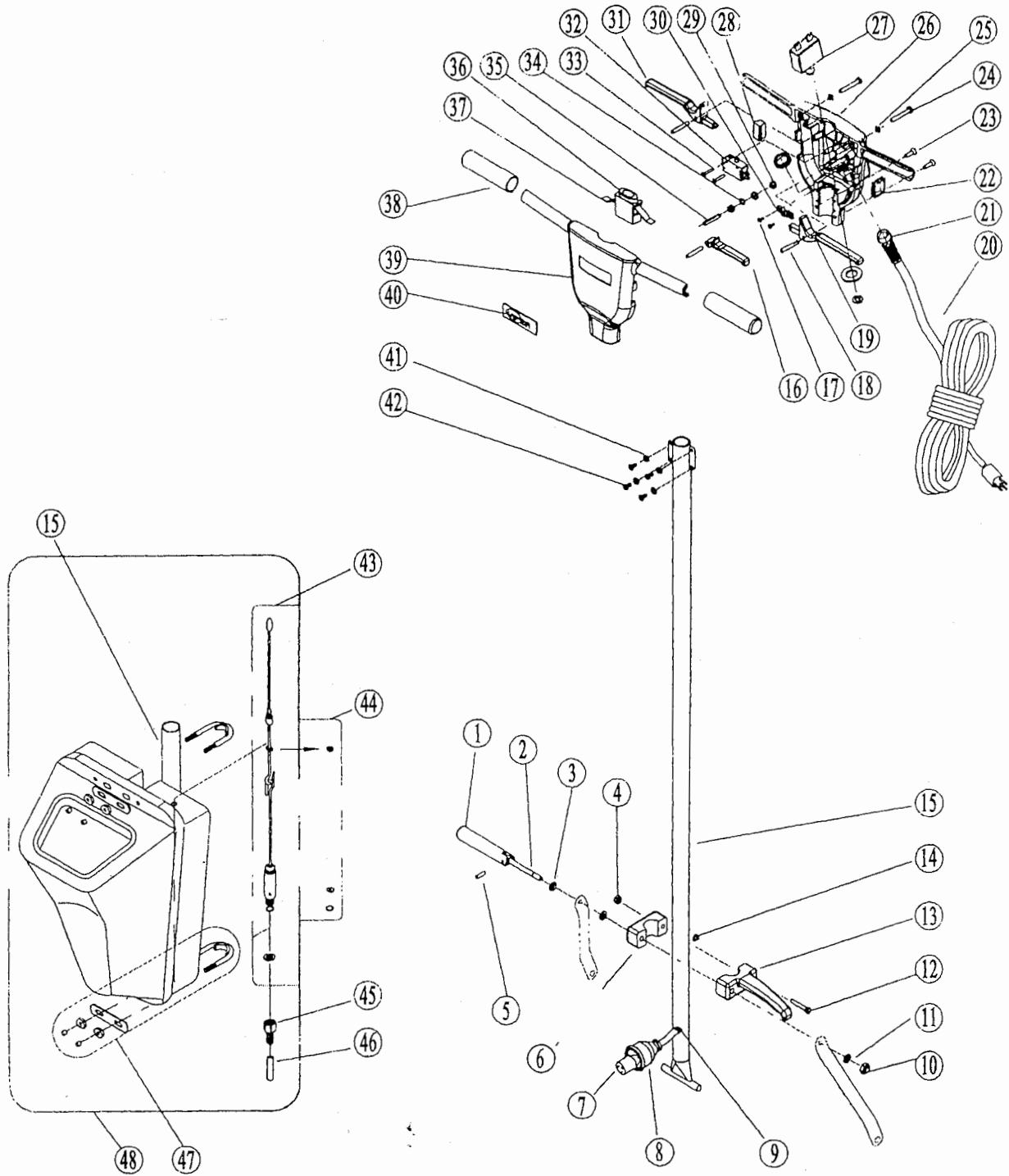
**\* Always confirm that the machine is unplugged prior to performing any maintenance or repairs.**

1. Unplug machine as soon as you are done using it.
2. Tilt machine back and remove pad driver or brush.
  - \* Never store a low speed machine with the pad driver or brush mounted to the machine.
3. Clean the outside of the machine with a mild cleaner.
4. Check power cord for any damage. If damage is detected, replace power cord immediately.
5. Lubricate wheels with a water resistant lubricant once a month.
6. Check machine for loose or missing nuts and bolts, and replace as necessary.
7. If the machine is used in a dusty environment, you may remove the motor cover and blow the motor clean with compressed air. This will ensure proper ventilation, and allow the motor to run cooler.

## STORAGE

1. Unplug machine from power source and wrap cord on handle.
2. Tilt machine back and remove pad driver or brush.
3. Store machine in upright position and in a dry area.

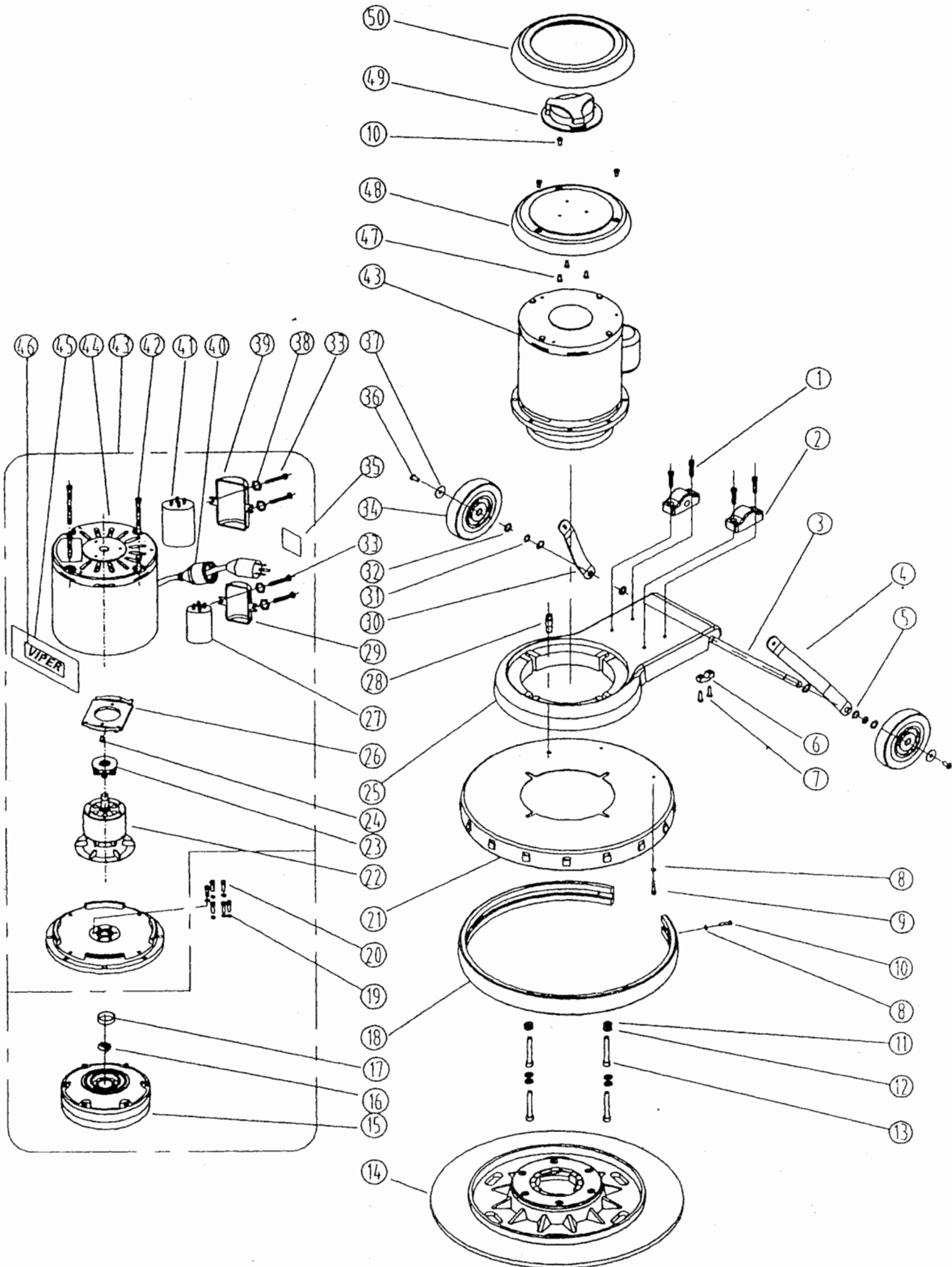
HANDLE GROUP FOR VN1720P



## HANDLE GROUP PARTS LIST FOR VN1720P

DIA NO	PART NUMBER	DESCRIPTION	NO REQ'D
1	VF30016	HANDLE RELEASE	1
2	VF30015	BOLT HANDLE RELEASE	1
3	VF30018	WASHER,PLAIN	2
4	VF13503	NUT,M8 X 5.7	1
5	VF30017	SCREW	1
6	VF30014	COVER,HOOK	1
7	VF45120	CORD,HANDLE	1
8	VF41901	PLUG PROTECTOR ,SMALL MALE	
9	VF50120	GROMMET	1
10	VF13504	NUT,M10	1
11	VF13517	WASHER,PLAIN	1
12	VF14114	SCREW M8 X 55	1
13	VF30013	HOOK	1
14	VF13493	SCREW,M6 X 10	1
15	AS112205	TUBE	2
16	VF44018	LEVER,SOLUTION	1
17	VF13661	SCREW,M4 X 12	2
18	VF48306	PIN	3
19	VF44016	LEVER,LEFT,SWITCH	1
20	VF45119	CORD,POWER SUPPLY	1
21	AS22009	STRAIN RELIEF,CORD	1
22	VF30108	GASKET,HANDLE,SOLUTION	1
23	VF14223	SCREW M6 X 25	2
24	VF14218	SCREW M6 X 45	2
25	VF13528	TEETH WASHER Ø6	2
26	VF30102	REAR COVER	1
27	VF99012	CIRCUIT BREAKER 12A/1.5HP	1
28	VF30109	COVER	1
29	GT13013	NUT,M4	3
30	VF48309	CLAMP BLOCK	1
31	VF44017	LEVER,RIGHT,SWITCH	1
32	VF99023	SWITCH ASSY	1
33	VF14212	SCREW M3 X 25	2
34	VF13527	TEETH WASHER Ø4	1
35	VF13526	SCREW M4 X 30	1
36	VF46705	SAFETY BOTTON	1
37	GV40218	SPRING,SAFETY BLOCK	1
38	VF48310	HANDLE GRIP	2
39	VF30101	FRONT COVER	1
40	VF47035A	LOGO	1
41	VF13604	TEETH WASHER Ø5	4
42	VF14222	SCREW M5 X 12	4
43	VF40200	VALVE ASSY KIT	1
44	VF40001	TANK SEAL KIT	1
45	VF40132	BARB HOSE	1
46	VF40139	HOSE ,SOLUTION	1
47	VF40000	TANK MOUNTING KIT	1
48	MF-VF001	TANK ASSY	1

BASE GROUP FOR VN1720P



**BASE GROUP PARTS LIST FOR VN1720P**

<b>DIA NO</b>	<b>PART NUMBER</b>	<b>DESCRIPTION</b>	<b>NO REQ'D</b>
1	GT13080	SCREW M6x30	4
2	VF30011	CLAMP BLOCK,HANDLE	1
3	VF30026	AXLE	1
4	VF30020	BRACKET,LEFT,HANDLE(HD handle release serial#1766+)	1
	AS112209	BRACKET,LEFT,HANDLE(Original Handle Release)	1
5	VV20274	WASHER,PLAIN φ13	4
6	GV40235	CLAMP BLOCK,AXLE	2
7	VV13621	SELF-TAPPING SCREW ST5 x 20	4
8	VF13474A	WASHER,PLAIN φ5	4
9	VF13613	SCREW M5 x 20	2
10	VA13474	SCREW M5 x 16	5
11	VF13524	WASHER,PLAIN φ8	4
12	VF13519	WASHER,LOCK φ8	4
13	GT13016	SCREW M8 x 55	4
14	MF-VF021	16"PAD HOLDER	1
	MF-VF022	19" PAD HOLDER	1
15	VF999802B	GEAR BOX	1
16	VF99021	COUPLING	1
17	MTO1102	SLEEVE	1
18	VF30005	BUMPER 17"	1
	VF30004	BUMPER 20"	1
19	VV13601	WASHER,LOCK, 5MM	6
20	VV13636	SCREW , M5X30	6
21	VF30007	FRAME 17"	1
	VF30006	FRAME 20"	1
22	YCQ11200	ROTOR WITH FAN ASSY	1
23	YCQ10300A	CENTRIFUGAL SWITCH	1
24	VV20509	SCREW,M5X20	2
25	VF30008	ALUMINIUM BASE,MOTOR	1
26	YCQ10300B	STATIONARY SWITCH	1
27	VF999854	RUNNING CAPACITOR,50uF/370V	1
28	VF40152	BARB HOSE	1
29	YLQ14601	MOUNTING FRAME(SMALL),CAPACITOR	1
30	VF30019	BRACKET,HANDLE,RIGHT(HD handle release serial#1766+)	1
	AS112215	BRACKET,HANDLE,RIGHT(Original Handle Release)	1
31	VF13520	WASHER,LOCK	2
32	VF13602	WASHER,PLAIN Ø12	2
33	VF14214	SCREW M5 X 8	4
34	VF48202	WHELL 5"	2
35	VF40994	READ MANUAL LABEL	1
36	VF44012	SCREW,M6X12.7	2
37	VF13666	WASHER,Ø6	2
38	VF13604	WASHER,LOCK,OUTER TOOTH	4
39	YCQ10615	MOUNTING FRAME(BIG),CAPACITOR	1
40	AS41902	PLUG PROTECTOR LARGE FEMALE	1
41	VF999805	START-UP CAPACITOR(BIG),400-450MF/110V	1
42	YLQ17507	BOLT ASSY	4
43	VF999792A	MOTOR ASSY	1
44	VF999787	MOTOR ,115V,1.5HP	1
45	VF44003	LABEL,MOTOR	1
46	VF41079	LABEL,VIPER	1
47	VF14222	SCREW M5 X 12	3
48	VF30001	TOP COVER,MOTOR	1
49	VF30002	CLUTCH PLATE	1
50	VF47023	BUMPER	1

# Wiring Diagram

