

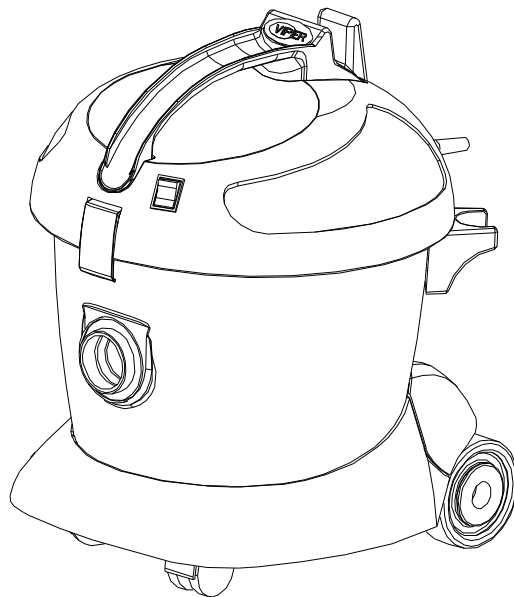


MAMBA SERIES VACUUM

OWNER'S MANUAL

IMPORTANT: READ OWNERS MANUAL CAREFULLY

Please fill out & return your warranty card!



MODEL # MB53CV

SERIAL # _____

VIPER NORTH AMERICA
P.O.BOX 104
HAMILTON.MI 49419

VIPER...exceptional
value

[866] 418-4737
[866] 41-VIPER

REV.00[08-06]

VA61406



CONGRATULATIONS on your purchase of a Viper product, and welcome to the V.I.P. family. We appreciate your business and will do everything in our power to keep you happy with your purchase for many years to come.

As part of the V.I.P. family, you are entitled to the best protection by one of the most comprehensive warranties in the industry.

Thank-you for purchasing Viper products!

Tom Vander Bie, CEO

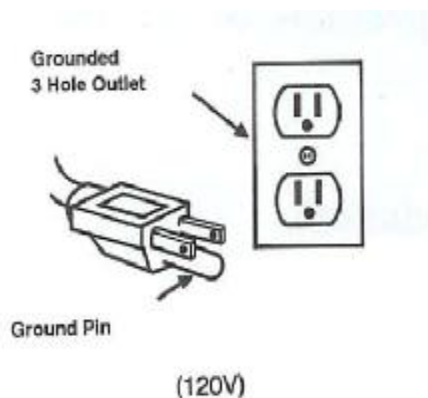
TABLE OF CONTENTS

Safety Precautions	3
Machine Operation	4
Machine Maintenance & Storage	4
Parts Lists	5-8
Wiring Diagram	9



SAFETY PRECAUTIONS

!!! This machine must be grounded! Grounding provides a path of least resistance for electrical current. To reduce the risk of electrical shock should the machine malfunction, the machine has a special grounding plug. Do not remove the ground pin under any circumstances!



This machine is intended for Commercial use. It is constructed for use in an indoor environment and is not intended for any other use. Use only recommended accessories.

All operators shall read, understand and exercise the following safety precautions:

1] Do not operate machine:

- Unless trained and authorized.
- Unless you have read and understand operators manual.
- In flammable or explosive areas.
- With a damaged cord or plug.
- If not in proper operating condition.
- In outdoor areas.

- In standing water.
- Without bag/filters in place
- With the use of extension cords.

2] Before operating machine:

- Make sure all safety devices are in place and operate properly.

3] When using machine:

- Do not run machine over cord.
- Do not pull machine by cord or plug.
- Do not pull cord around sharp edges or corners.
- Do not unplug by pulling on the cord.
- Do not stretch cord.
- Do not handle plug with wet hands.
- Keep cord away from heated surfaces.
- Do not pick up burning or smoking debris such as cigarettes, matches or hot ashes.
- Report machine damage or faulty operation immediately.

4] Before leaving or servicing machine:

- Turn off machine.
- Unplug cord from outlet.

5] When servicing machine:

- Unplug cord from outlet.
- Use manufacturer supplied or approved replacements parts.

⚠ To avoid electrical shock, please replace the power cord immediately if any damage is being detected, The replacement must be performed only by an authorized person or by our customer service center.

Operation of the Canister Vacuum

* Read operators manual thoroughly prior to operating or servicing this machine.

DRY PICKUP

- 1] Remove The vac head of machine and confirm that there is either a cloth of paper filter in place.
- 2] Replace & the latch vac head.

*** Be sure the machine is not plugged into an outlet.**

- 3] Connect vacuum hose to inlet on the machine body.
- 4] Choose appropriate tool, and attach it to the free end of the hose .
- 5] Plug power cord into grounded outlet.

* Do not use an extension cord in conjunction with the standard power cord.

- 6] To start the machine push on the red rocker switch turn on .
- 7] Check the filter bag periodically to see if it is full. For optimal performance, replace the bag when it is 3/4 full.
- 8] This machine is designed to be pulled around by the vacuum hose, so pull the hose, and the vacuum will follow.
- 10] To stop the machine at any time, simply turn off the rocker switch.

MAINTENANCE

To keep the machine performing well for many years, please follow the following maintenance procedures.

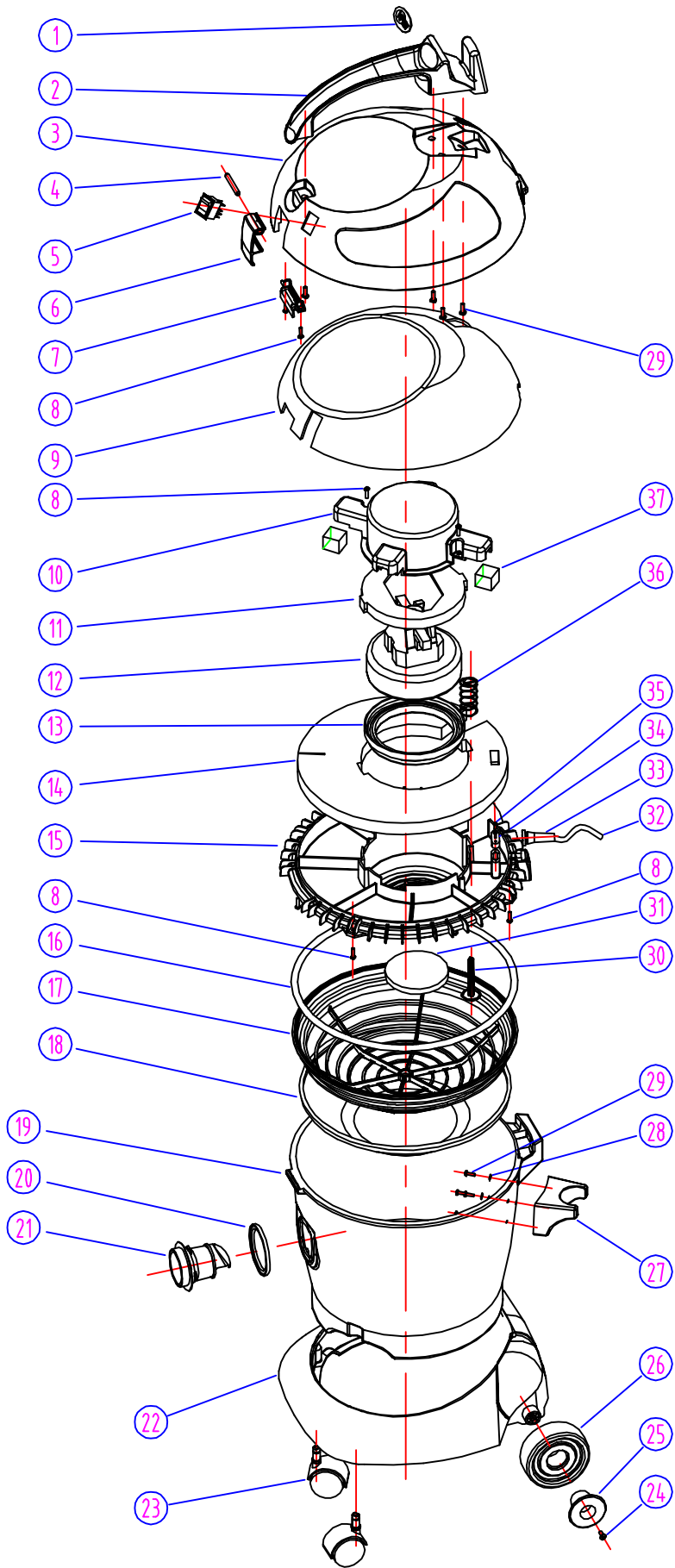
*** Always confirm that the machine is unplugged prior to performing any maintenance or repairs.**

- 1] Unplug machine as soon as you are done using it.
- 2] Check power cord for any damage. If any damage is detected, replace the cord immediately.
- 3] Lubricate casters with a water resistant lubricant every month.
- 4] Check machine for loose or missing nuts and bolts, and replace as necessary.
- 5] Check the filter, and clean it after each use.
- 6] Remove the vacuum hose and check it for any holes and clogs.
- 7] Clean the outside of the machine with a mild cleaner.

STORAGE

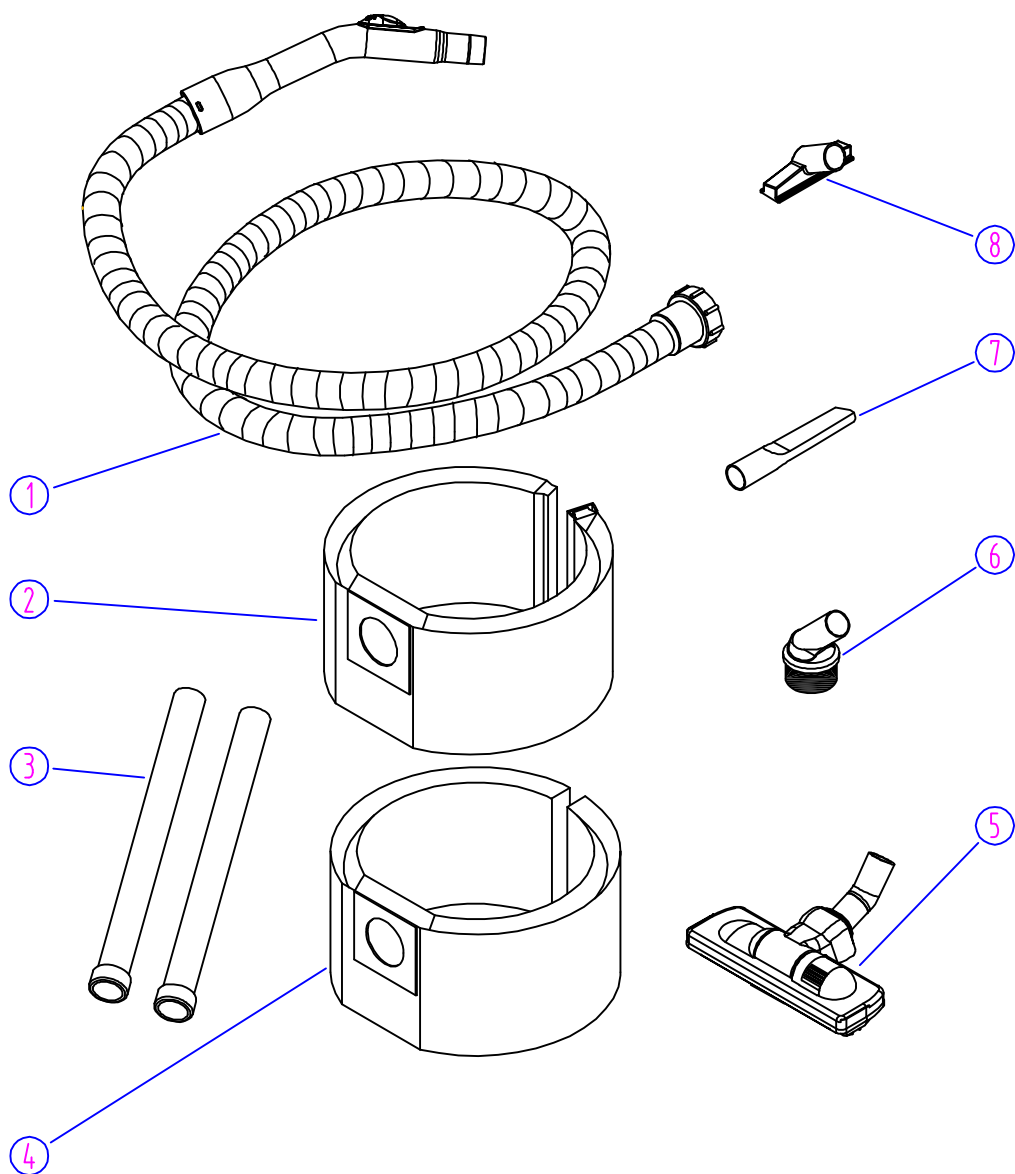
- 1] Unplug machine from power source.
- 2] Store in upright position in a dry area.

MB53CV



PARTS LIST

DIA NO	PART NUMBER	DESCRIPTION	NO REQ'D
1	VA60115	Logo	1
2	VA60103	Handle	1
3	VA60102	Housing, Vac Head	1
4	VA60107	Pin	1
5	VA60118	Switch	1
6	VA60105	Catch	1
7	VA60106	Basement, Catch	1
8	VF14116	Screw, ST4X16	8
9	VA60114	Screen, Housing, Vac Head	1
10	VA61104	Mounting Cover, Motor	1
11	VA61105	Top Gasket, Motor	1
12	VA41038	Vac Motor, 110V	1
13	VA61103	Bottom Gasket, Motor	1
14	VA61108	Screen, Mounting Base	1
15	VA61101	Mounting Base, Motor	1
16	VA61106	Sealer	1
17	VA61201	Filter Frame	1
18	VA61202	Filter	1
19	VA61301	Tank	1
20	VA61302	Gasket, Intake	1
21	VA61303	Intake	1
22	VA61304	Mounting Base, Tank	1
23	VA60303	Caster, ϕ 50	2
24	GT13001	Screw, ST5 X 12	2
25	GT13010	Axle	2
26	GT13011	Whell	2
27	VA60302	Holder, Combination Tool	1
28	VA13482	Washer, Plain, ϕ 5X ϕ 11X1	4
29	VF14117	Screw, ST5 X 16	8
30	VA60108	Valve, By-Pass	1
31	VA61107	Filter, Motor	1
32	VA65002	Power Cord	1
33	VA41019	Grommet	1
34	VA21518	Clamp Block	1
35	GT13047	Screw, ST3X16	2
36	VA60109	Spring	1
37	VA61109	Sreen, Mounting Cover	4



Wiring Diagram

MB53CV

