



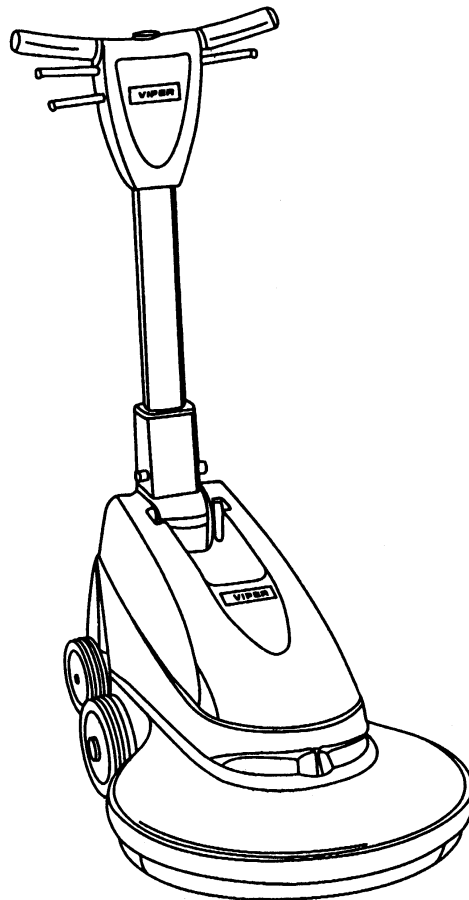
DRAGON SERIES HIGH SPEEDS

www.usviper.com

OWNERS MANUAL

IMPORTANT: READ OWNERS MANUAL CAREFULLY

Please fill out & return your warranty card!



MODEL# DR1500H

SERIAL# _____

VIPER NORTH AMERICA
P.O. BOX 104
HAMILTON, MI 49419

VIPER ...exceptional
value

(866) 418-4737
(866) 41 - VIPER

REV.05(12-08)
VF41529



CONGRATULATIONS on your purchase of a Viper product, and welcome to the V.I.P. family. We appreciate your business and will do everything in our power to keep you happy with your purchase for many years to come.

As part of the V.I.P. family, you are entitled to the best protection by one of the most comprehensive warranties in the industry.

Thank-you for purchasing Viper products!

Tom Vander Bie, CEO

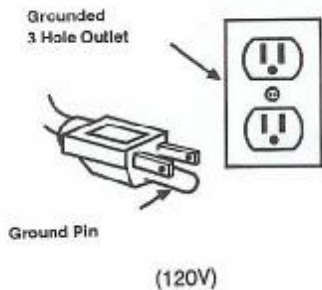
TABLE OF CONTENTS

| | |
|--|-------------|
| Safety Precautions | 3 |
| Machine Operation | 4 |
| Machine Maintenance & Storage | 4 |
| Parts Lists | 5-10 |
| Wiring Diagram | 11 |



SAFETY PRECAUTIONS

**!!! This machine must be grounded!
Grounding provides the path of least resistance for electrical current. To reduce the risk of electrical shock should the machine malfunction, the machine has a special grounding plug. Do not remove the ground pin under any circumstances!**



This machine is intended for commercial use. It is constructed for use in an indoor environment and is not intended for any other use. Use only recommended accessories.

All operators shall read, understand and exercise the following safety precautions:

1) Do not operate machine:

- Unless trained and authorized
- Unless you have read and understand operators manual
- In flammable or explosive areas.
- With damaged cord or plug.
- If not in proper operating condition.
- In outdoor areas.
- In standing water.
- With the use of extension cords.

2) Before operating machine:

- Make sure all safety devices are in place and operate properly.

3) When using machine:

- Do not run machine over cord.
- Do not pull machine by cord or plug.
- Do not pull cord around sharp edges or corners.
- Turn power switch to "off " prior to unplugging machine.
- Do not unplug by pulling on the cord.
- Do not stretch cord.
- Do not handle plug with wet hands.
- Keep cord away from heated surfaces.
- Do not pick up burning or smoking debris such as cigarettes, matches or hot ashes.
- Report machine damage or faulty operation immediately.

4) Before leaving or servicing machine:

- Turn off machine.
- Unplug cord from outlet.

5) When servicing machine:

- Unplug cord from outlet.
- Use manufacturer supplied or approved replacement parts.

Operation of High Speed Floor Machine

* Read operators manual thoroughly prior to operating or servicing this machine.

GENERAL USE

- 1] Remove any obstructions or other obstacles in the area which is to be cleaned.
- 2] Place handle in upright position and tilt machine back until handle rests on the floor.

* **Be sure the machine is not plugged into an outlet.**

- 3] Remove the pad center gripping device by unscrewing the thumbscrews.
- 4] Place appropriate burnishing pad on pad driver and re-attach the center gripping device.
- 5] Place machine back into its upright position.
- 6] Plug power cord into grounded outlet.

* **Do not use an extension cord in conjunction with the standard power cord.**

- 7] Adjust the handle height to a comfortable operating position.
- 8] To start the machine, push on the Red safety button on the top of the upper switch housing, and then squeeze either of the switch levers.
- 9] When the machine is in operation, both hands should be placed on the handle (switch housing).
- 10] To stop the machine at any time, simply release the switch lever, and the machine will stop automatically.

MAINTENANCE

To keep the machine performing well for many years, please follow the following maintenance procedures.

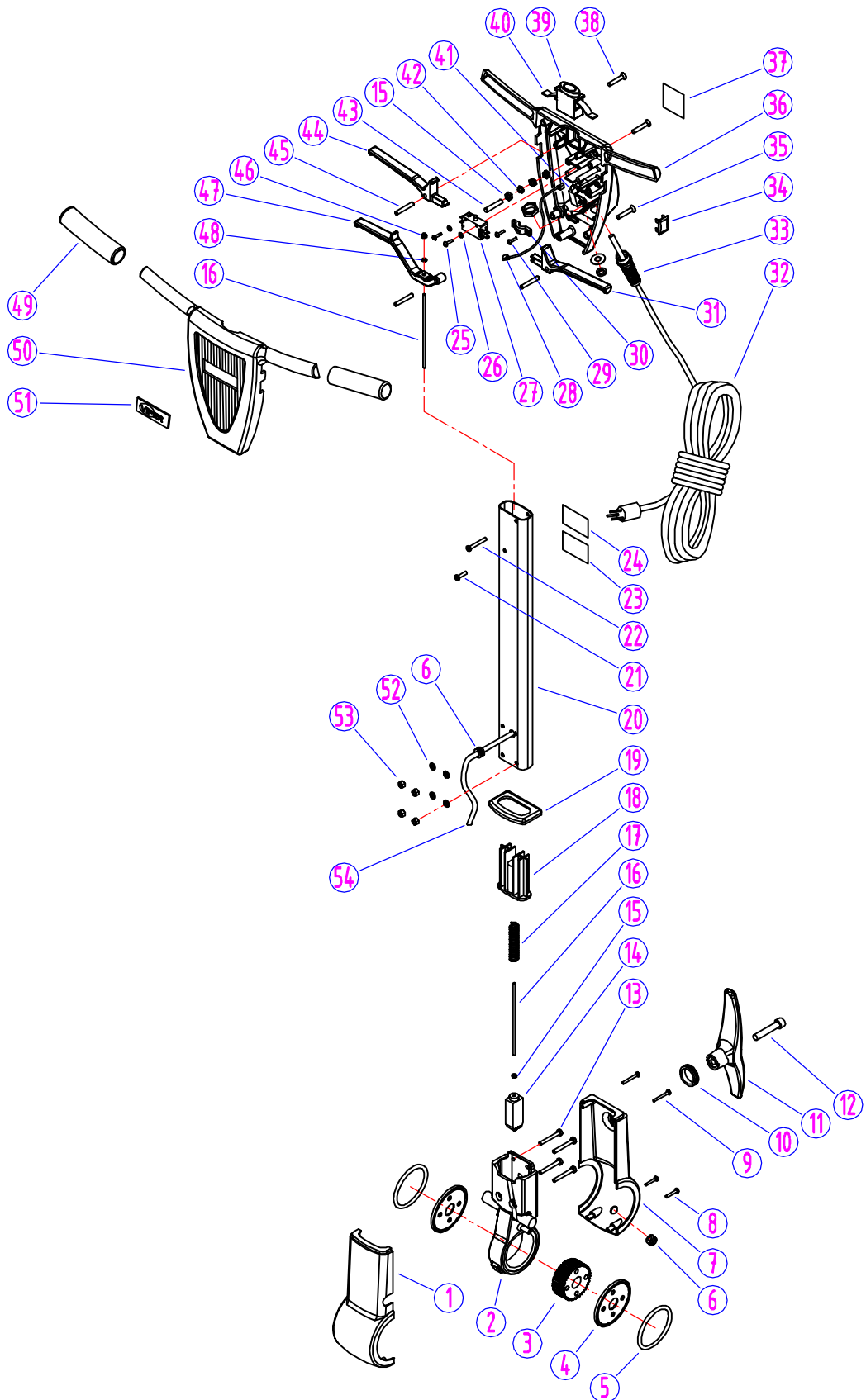
* **Always confirm that the machine is unplugged prior to performing any maintenance or repairs.**

- 1] Unplug machine as soon as you are not using it.
- 2] Clean the outside of the machine with a mild cleaner.
- 3] Check power cord for any damage. If any damage is detected, replace the cord immediately.
- 4] Lubricate wheels with a water resistant lubricant every month.
- 5] Check machine for loose or missing nuts and bolts, and replace as necessary.
- 6] If the machine is used in a dusty environment, you may remove the motor cover and blow the motor clean with compressed air. This will allow for good ventilation and help the motor run cooler.

STORAGE

- 1] Unplug machine from power source.
- 2] Store in upright position in a dry area.

HANDLE GROUP FOR DR1500H



HANDLE GROUP PARTS LIST FOR DR1500H

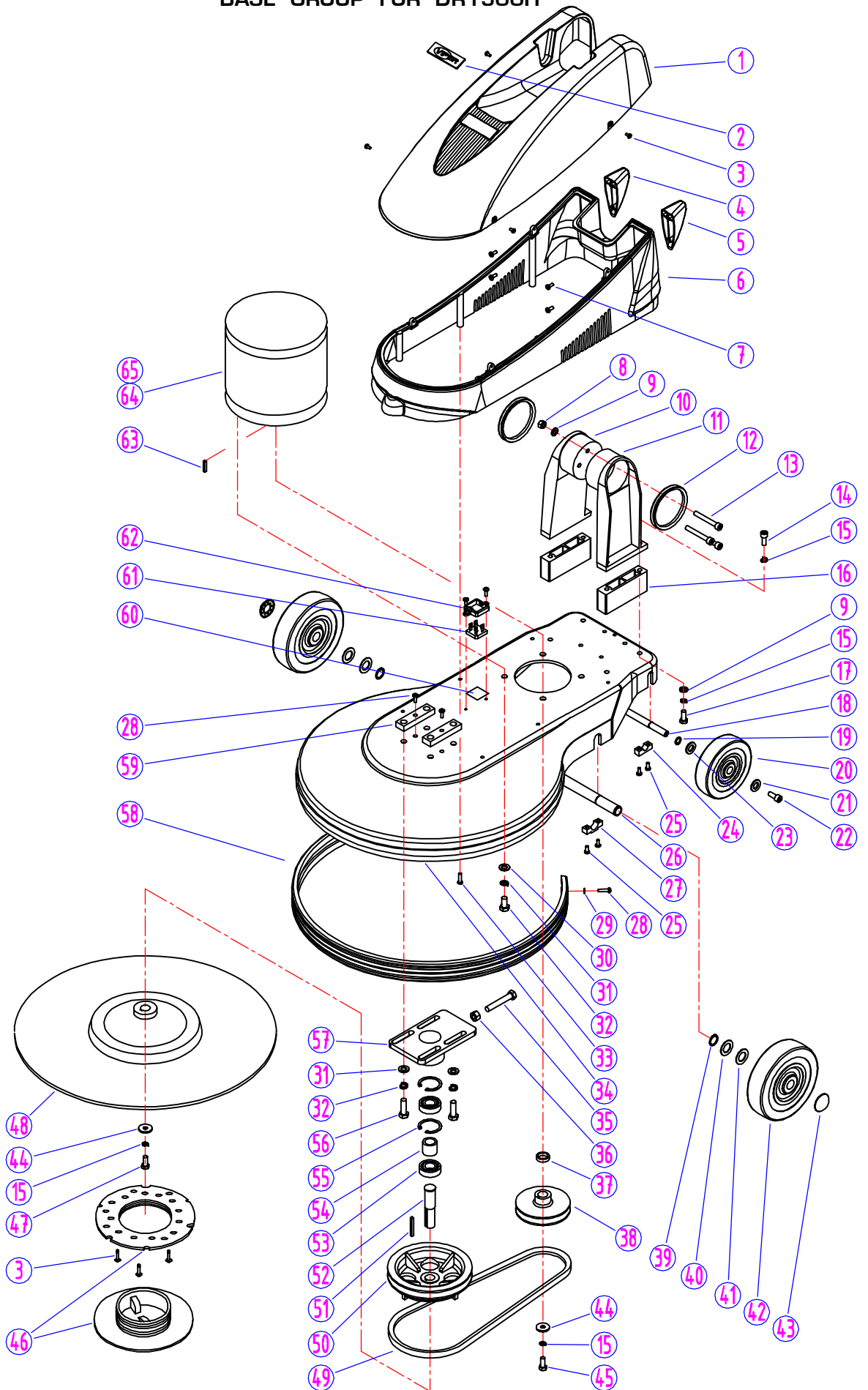
| DIA NO | PART NUMBER | DESCRIPTION | NO REQ'D |
|---------------|--------------------|--------------------------------|-----------------|
| 1 | VF47009 | FRONT COVER, SEAT, GEAR | 1 |
| 2 | VF47029 | SEAT, GEAR | 1 |
| 3 | VF47028 | GEAR | 1 |
| 4 | GV40227 | WASHER, NYLON | 2 |
| 5 | GV40228 | "O" RING, GEAR SEAT | 2 |
| 6 | VF50120 | GROMMET | 2 |
| 7 | VF47015 | REAR COVER, SEAT, GEAR | 1 |
| 8 | VF14080 | SELF-TAPPING SCREW, ST4x25 | 2 |
| 9 | VF14087 | SELF-TAPPING SCREW, ST4x35 | 2 |
| 10 | VF47046 | SEAL RING | 1 |
| 11 | VF47045 | HOOK, CABLE | 1 |
| 12 | VF13616 | HEX SCREW, M10x55 | 1 |
| 13 | GT13019 | HEX SCREW, M6x45 | 4 |
| 14 | VF47052 | INSERT, LEVELING | 1 |
| 15 | GT13013 | NUT, M4 | 4 |
| 16 | VF52117 | ROD LEVELING | 1 |
| 17 | VF47007 | SPRING, LEVELING | 1 |
| 18 | VF47033 | RETAINER | 1 |
| 19 | VF47008 | SEAL, TUBE | 1 |
| 20 | VF52116 | TUBE | 1 |
| 21 | VA13474 | SCREW, M5x16, PH | 1 |
| 22 | VA13476 | SCREW, M5x40, PH | 1 |
| 23 | VF52027 | DECAL, WARNING | 1 |
| 24 | VF41195 | SERIAL TAG | 1 |
| 25 | VF14212 | SCREW, M3x25, PH | 2 |
| 26 | VF13511 | WASHER, LOCK, INTERNAL TOOTH | 2 |
| 27 | VF44203 | SWITCH ASSY | 1 |
| 28 | VF45124 | JUMP WIRE | 1 |
| 29 | VV13650 | SCREW, M4 x 10, PH | 2 |
| 30 | VF48309 | BLOCK, HANDLE CABLE | 1 |
| 31 | VF46703 | LEVELING HANDLE, SWITCH, LEFT | 1 |
| 32 | VF45119 | CORD, POWER SUPPLY, STOW 14/3C | 1 |
| 33 | AS22009 | STRAIN RELIEF, CORD | 1 |
| 34 | VF52019 | COVER, SOLUTION LEVER | 1 |
| 35 | VF14226 | SCREW, FH, M6x35 | 2 |
| 36 | VF52118 | REAR COVER | 1 |
| 37 | VF54029 | DECAL, NOTICE | 1 |
| 38 | VF14218 | SCREW, M6x40, PH | 2 |

HANDLE GROUP PARTS LIST FOR DR1500H

| DIA NO | PART NUMBER | DESCRIPTION | NO REQ'D |
|-------------------|------------------------|--|---------------------|
| 39 | VF46705 | SAFETY BLOCK | 1 |
| 40 | GV40218 | SPRING, SAFETY BLOCK | 1 |
| 41 | VF99010C | CIRCUIT BREAKER, 17AMPS | 1 |
| 42 | VF13527 | WASHER, EXTERNAL TOOTH, ϕ 4 | 1 |
| 43 | VF13526 | HEX SOCKET SCREW, M4x30 | 1 |
| 44 | VF46704 | LEVELING HANDLE, RIGHT, SWITCH | 1 |
| 45 | VF48306 | PIN, LEVER | 3 |
| 46 | GT13014 | NUT, M4, NYLON INSERT | 1 |
| 47 | VF46707 | LEVELING HANDLE, ROD | 1 |
| 48 | GT13017 | BIG WASHER, PLAIN, ϕ 4x ϕ 16 | 1 |
| 49 | VF46706 | HANDLE GRIP | 2 |
| 50 | VF46701 | FRONT COVER, HANDLE HOUSING | 1 |
| 51 | VF47035A | "VIPER" LOGO | 1 |
| 52 | VF13600 | WASHER, PLAIN, ϕ 6 | 4 |
| 53 | VF13502 | NUT, M6, NYLON INSERT | 4 |
| 54 | VF45120 | CABLE, HANDLE, SJTW 14/3C | 1 |

PARTS LIST

BASE GROUP FOR DR1500H



BASE GROUP PARTS LIST FOR DR1500H

| DIA NO | PART NUMBER | DESCRIPTION | NO REQ'D |
|---------------|--------------------|-------------------------------------|-----------------|
| 1 | VF52102A | UPPER COVER | 1 |
| 2 | VF47035A | "VIPER" LOGO | 1 |
| 3 | VA13484 | SELF-TAPPING SCREW, ST4x12 | 7 |
| 4 | VF52114 | PLASTIC STAND, RIGHT | 1 |
| 5 | VF52115 | PLASTIC STAND, LEFT | 1 |
| 6 | VF52101A | LOWER COVER | 1 |
| 7 | VV20509 | SCREW, M5x10, PH | 4 |
| 8 | VF13503 | NUT, M8, NYLON INSERT | 3 |
| 9 | VF13524 | WASHER, PLAIN | 7 |
| 10 | VF52104A | RIGHT, ARM | 1 |
| 11 | VF52103A | LEFT, ARM | 1 |
| 12 | VF47026 | SEAL, UPPER COVER | 2 |
| 13 | GT13016 | SCREW, M8x60, HEX SOCKET | 3 |
| 14 | VF14088 | SCREW, M8x25, HEX SOCKET | 4 |
| 15 | VF13519 | WASHER, LOCK, ϕ 8 | 10 |
| 16 | VF52105 | RISER, ARM | 2 |
| 17 | VF13607 | SCREW, M8x25 | 4 |
| 18 | VF52011 | AXLE, TRANSPORTATION | 1 |
| 19 | VF13520 | RETAINING RING, EXTERNAL, ϕ 12 | 2 |
| 20 | VF52017 | WHEEL, 5" | 2 |
| 21 | VF13666 | WASHER, PLAIN, ϕ 12 | 2 |
| 22 | VF44012 | SCREW, M5x12.7 | 2 |
| 23 | VF50119 | WAVING WASHER, ϕ 12 | 2 |
| 24 | GV40235 | CLAMP BLOCK, AXLE | 2 |
| 25 | VV13621 | SELF-TAPPING SCREW, ST5x20 | 8 |
| 26 | VF52010 | FRONT AXLE | 1 |
| 27 | VF47038 | CLAMP BLOCK, AXLE | 2 |
| 28 | VA13474 | SCREW, M5x16 | 5 |
| 29 | VF13474A | WASHER, PLAIN, ϕ 5 x ϕ 16 | 2 |
| 30 | VF13517 | WASHER, PLAIN, ϕ 8 | 8 |
| 31 | VF13518 | WASHER, LOCK, ϕ 8 | 8 |
| 32 | VF13497 | SCREW, 3/8"-16 | 4 |
| 33 | GT13004 | SELF-TAPPING SCREW, ST5x20 | 7 |
| 34 | VF52003 | FRAME | 1 |
| 35 | VF14009 | HEX SCREW, M10x65 | 1 |
| 36 | VF14005 | NUT, M10 | 1 |
| 37 | VF52008 | SPACER | 1 |
| 38 | VF52009G | DRIVING PULLEY | 1 |

BASE GROUP PARTS LIST FOR DR1500H

| DIA NO | PART NUMBER | DESCRIPTION | NO REQ'D |
|---------------|--------------------|-------------------------------------|-----------------|
| 39 | VF14004 | RETAINING RING, EXTERNAL, ϕ 19 | 2 |
| 40 | VF50123 | WASHER, ϕ 19 | 2 |
| 41 | VF47027 | WAVING WASHER, ϕ 19 | 2 |
| 42 | VF47055 | WHEEL, 160mm | 2 |
| 43 | VA96851 | CAP, AXLE | 2 |
| 44 | VF52021 | WASHER, PLAIN | 2 |
| 45 | VF14008 | SCREW, 5/16"-18 | 1 |
| 46 | VF99003A | BIG MOUTH | 1 |
| 47 | GT13018 | HEX SCREW, M8x30 | 1 |
| 48 | VF99024D | PAD HOLDER | 1 |
| 49 | VF14079B | VEE BELT | 1 |
| 50 | VF52004A | DRIVEN PULLEY | 1 |
| 51 | VF52001 | KEY | 1 |
| 52 | VF52005 | DRIVEN SHAFT | 1 |
| 53 | VF14075 | BEARING, 60042RS | 2 |
| 54 | VF52006 | SPACER | 1 |
| 55 | VF14003 | LOCK | 2 |
| 56 | VF14007 | HEX SCREW, M10x32 | 4 |
| 57 | VF52007 | MOUNTING PLATE, DRIVEN SHAFT | 1 |
| 58 | VF52002 | BUMPER | 1 |
| 59 | VF52106 | MOUNTING PLATE | 2 |
| 60 | VF52022 | THERMAL CONDUCTION GASKET | 1 |
| 61 | VF44204 | RECTIFIER | 1 |
| 62 | VF52023 | COVER, RECTIFIER | 1 |
| 63 | ZD40205 | KEY, MOTOR SHAFT | 1 |
| 64 | ZD40 | MOTOR, 120V 3200 R.P.M | 1 |
| 65 | VF99926-2 | CARBON BRUSH | 1 |

Wiring Diagram

DR1500H

