

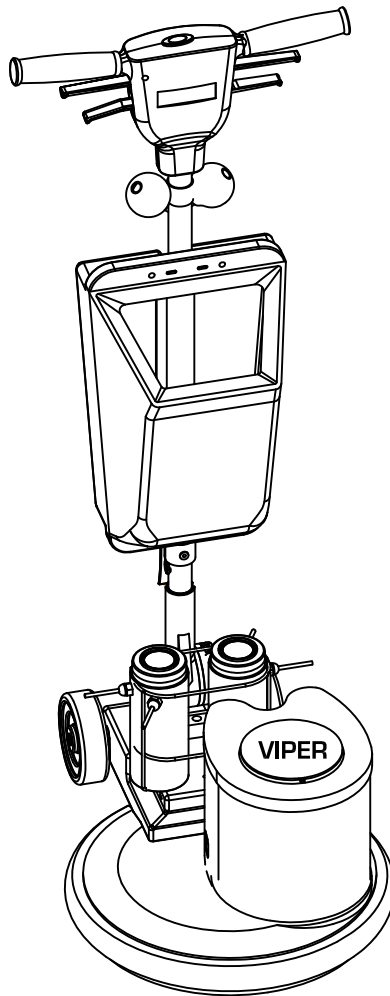


www.usviper.com

ANACONDA STONE CARE

OWNERS MANUAL

IMPORTANT: READ OWNERS MANUAL CAREFULLY
Please fill out & return your warranty card !



MODEL #

AN17SC

SERIAL #

VIPER NORTH AMERICA
P.O. BOX 104
HAMILTON, MI 49419

[866] 418-4737
[866] 41-VIPER

VIPER...exceptional
value

REV.06(08-07)
40801



CONGRATULATIONS on your purchase of a Viper product, and welcome to the **V.I.P.** family. We appreciate your business and will do everything in our power to keep you happy with your purchase for many years to come.

As part of the **V.I.P.** family, you are entitled to the best protection by one of the most comprehensive warranties in the industry.

Thank-you for purchasing Viper products!

Tom Vander Bie, CEO

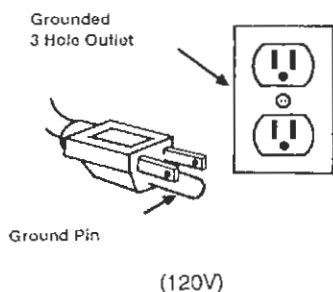
TABLE OF CONTENTS

Safety Precautions	3
Machine Operation	4
Machine Maintenance & Storage	4
Parts List	5—11
Wiring Diagram	12



SAFETY PRECAUTIONS

!!! This machine must be grounded!
Grounding provides a path of least resistance for electrical current. To reduce the risk of electrical shock should the machine malfunction, the machine has a special grounding plug. Do not remove the ground pin under any circumstances!



This machine is intended for commercial use. It is constructed for use in an indoor environment and is not intended for any other use. Use only recommended accessories.

All operators shall read, understand and exercise the following safety precautions:

1) Do not operate machine:

- Unless trained and authorized.
- Unless you have read and understand operators manual.
- In flammable or explosive areas.
- With a damaged cord or plug.
- If not in proper operating condition.
- In outdoor areas.

- In standing water
- Without bag/filters in place
- With the use of extension cords.

2) Before operating machine:

- Make sure all safety devices are in place and operate properly.

3) When using machine:

- Do not run machine over cord.
- Do not pull machine by cord or plug.
- Do not pull cord around sharp edges or corners.
- Do not unplug by pulling on the cord.
- Do not stretch cord.
- Do not handle plug with wet hands.
- Keep cord away from heated surfaces.
- Do not pick up burning or smoking debris such as cigarettes, matches or hot ashes.
- Report machine damage or faulty operation immediately.

4) Before leaving or servicing machine:

- Turn off machine.
- Unplug cord from outlet.

5) When servicing machine:

- Unplug cord from outlet.
- Use manufacturer supplied or approved replacements parts.

Operation of Floor Machines

* Read operators manual thoroughly prior to operating or servicing this machine.

GENERAL USE

- 1) Remove any obstructions or other obstacles in the area which is to be cleaned.
- 2) Place handle in upright position and tilt machine back until handle rests on the floor.

* Be sure the machine is not plugged into an outlet.

- 3) Attach the pad driver or brush to the machine by placing the clutch plate over the gearbox hub and turning the driver / brush 1/4 turn.
- 4) Place machine back into its upright position.
- 5) Plug power cord into a grounded outlet.

* Do not use an extension cord in conjunction with the standard power cord.

- 6) Adjust handle height by squeezing lower handle trigger with your right hand. Adjust height to a comfortable operating position.
- 7) To start the machine, push on the handle mounted safety switch (Viper logo) and squeeze any of the three switch levers.
- 8) When the machine is in operation, both hands should be placed on the handle.
- 9) During operation, to make the machine go right, gently raise the handle. To make the machine go left, gently lower the handle.
- 10) To stop the machine at any time, simply release the switch lever, and the machine will stop automatically.

MAINTENANCE

To keep the machine performing well for many years, please follow the following maintenance procedures.

* Always confirm that the machine is unplugged prior to performing any maintenance or repairs.

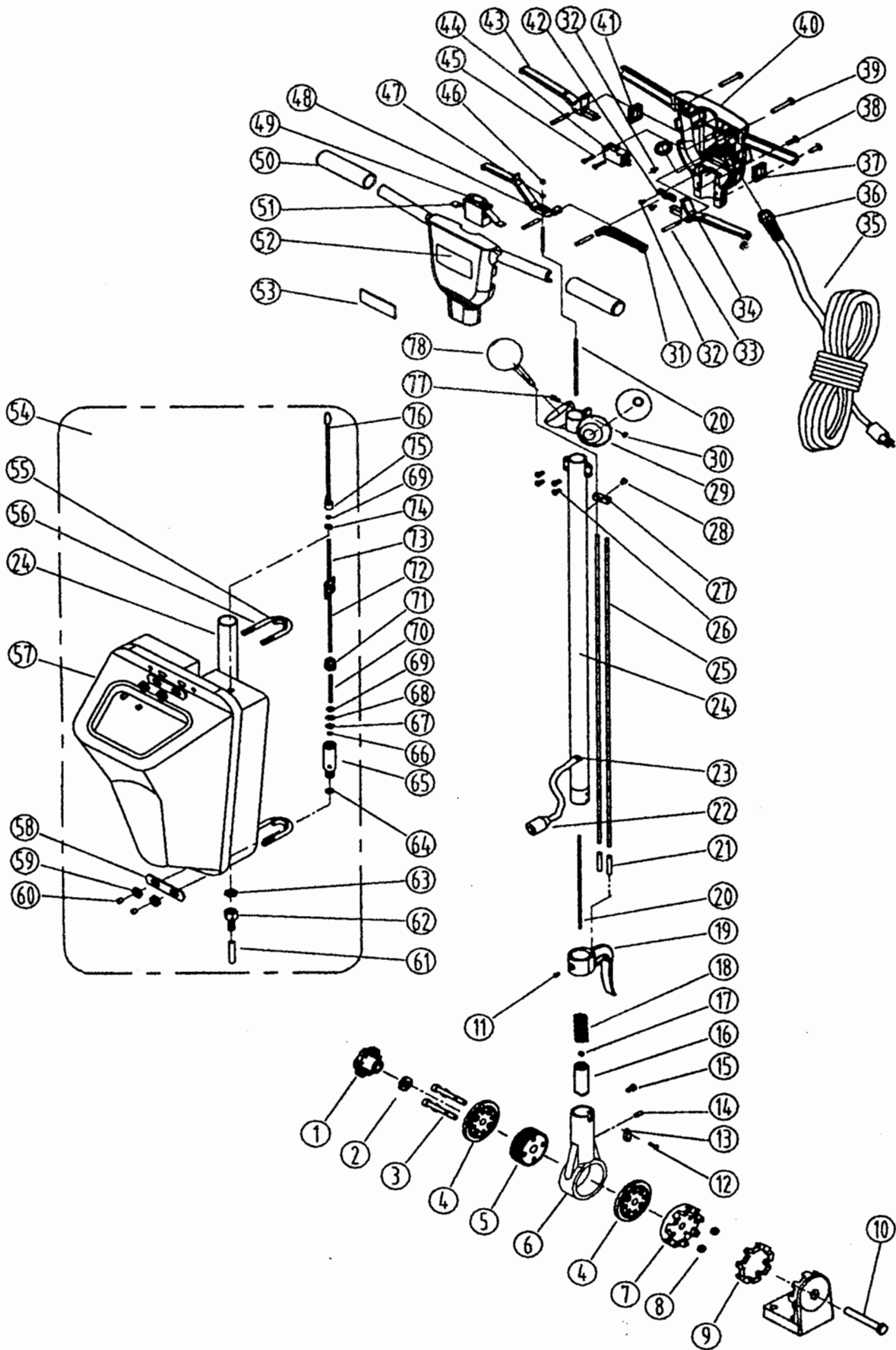
- 1) Unplug machine as soon as you are done using it.
- 2) Tilt machine back and remove pad driver or brush.

* Never store a low speed machine with the pad driver or brush mounted to the machine.

- 3) Clean the outside of the machine with a mild cleaner.
- 4) Check power cord for any damage. If any damage is detected, replace the cord immediately.
- 5) Lubricate wheels with a water resistant lubricant every month.
- 6) Check machine for loose or missing nuts and bolts, and replace as necessary.
- 7) If the machine is used in a dusty environment, you may remove the motor cover and blow the motor clean with compressed air. This will allow for good ventilation and help the motor run cooler.

STORAGE

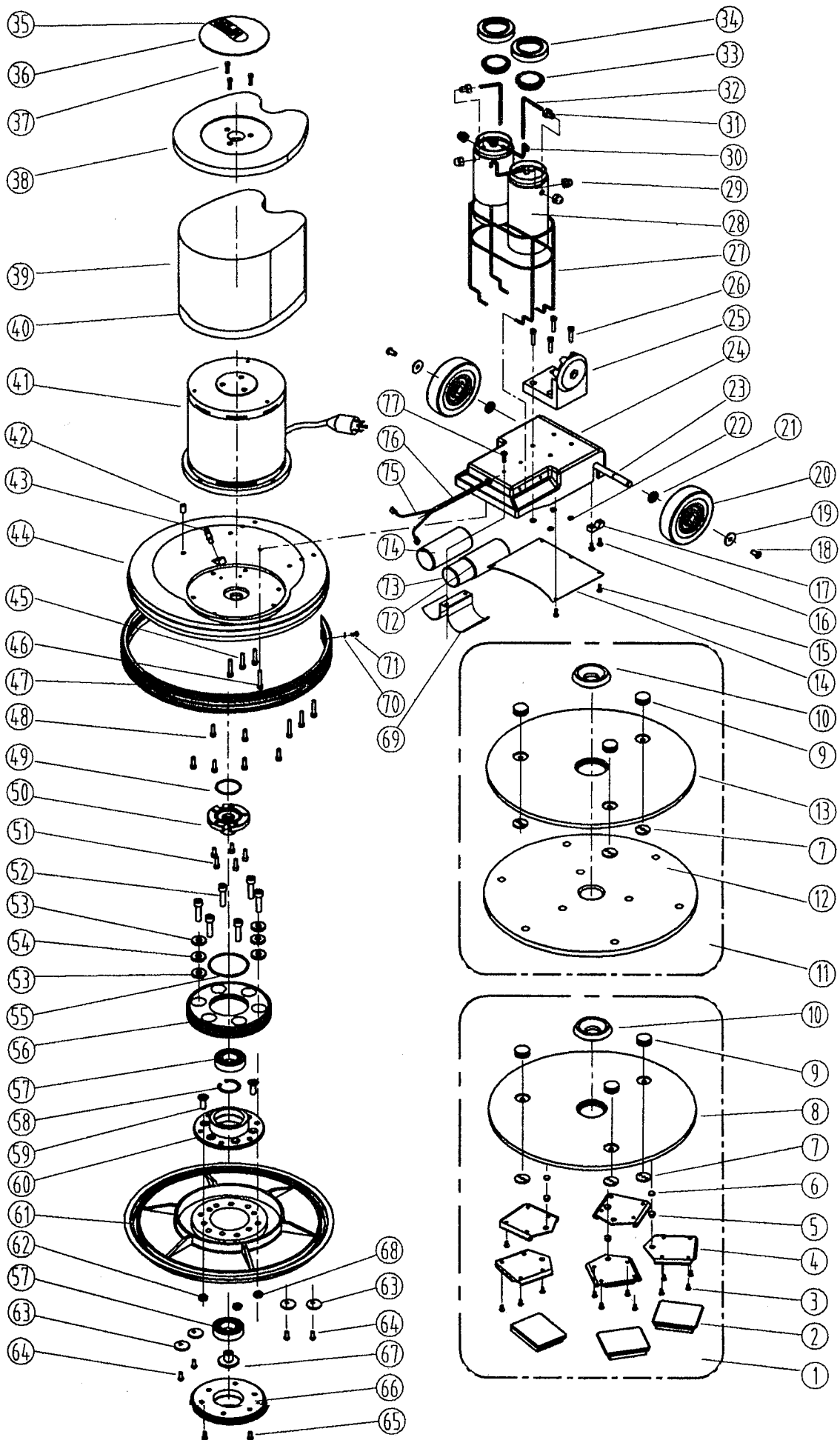
- 1) Unplug machine from power source.
- 2) Tilt machine back and remove pad driver or brush.
- 3) Store in upright position in dry area.



HANDLE GROUP FOR AN17SC

DIA NO	PART NUMBER	DESCRIPTION	NO REQ'D
1	VF50103A	KNOB,M12	1
2	VV20434	WASHER,PLAIN ϕ 13	1
3	GT13016	SCREW,M8X60	4
4	VF48203	COVER,GEAR	2
5	VF47028	GEAR	1
6	VF48201	SEAT,GEAR	1
7	VF48214	CLAMP	1
8	VF13503	NUT,LOCK,M8	4
9	VF48213	GASKET	1
10	VF14058	SCREW,M12X90	1
11	VF14217	SCREW,M6X10	1
12	VA13473	SCREW,M4X16	2
13	VF48217	KEY,8X12X25	1
14	VF13523	SCREW,M6X10	1
15	VF14124	SCREW,M10X12	1
16	VF48212	INSERT	1
17	GT13013	NUT,M4	1
18	VF48209	SPRING	1
19	VF48206	HOOK,CABLE	1
20	VF48204	LEVELING ROD	1
21	VF48419	PLASTIC TUBE ϕ 5X ϕ 8	2
22	VF45120	CORD,HANDLE	1
	AS41901	PLUG PROTECTOR,LARGE FEMALE	1
23	VF50120	GROMMET	1
24	VF48205	TUBE,HANDLE	1
25	VF48421	PLASTIC TUBE ϕ 3X ϕ 5	2
26	VF14222	SCREW,M5X12	4
27	VF48208	CLAMP,PLASTIC TUBE	1
28	VA13474	SCREW,M5X16	1
29	VF48207	RUBBER BULT TWIN CONE	1
30	GT13022	NUT,LOCK,M5	1
31	VF44018	LEVER,SOLUTION	1
32	VV13650	SCREW,M4X10	3
33	VF48306	PIN	4
34	VF44016	LEVER,LEFT,SWITCH	1
35	VF45119	CORD,POWER SUPPLY	1
36	AS22009	SIRAIN RELIEF CORD	1
37	VF30108	GASKET,HANDLE SOLUTION	1
38	VF14223	SCREW,M6X25	2
39	VF14218	SCREW,M6X40	2
40	VF44015	REAR COVER	1
41	VF30107	GASKET,HANDLE LEVELING	1
42	VF48309	CLAMP BLOCK	1
43	VF44017	LEVER,RIGHT,SWITCH	1

PARTS LIST



BASE GROUP FOR AN17SC

DIA NO	PART NUMBER	DESCRIPTION	NO REQ'D
1	VF48400B	GRINDING DISC HOLDER	1
2	VF48400C	BASE,GRINDING DISC	6
3	VF14224	SELF-TAPPING SCREW,ST5X10	24
4	VF48411	PLATE	6
5	VF48408	NYLON SHAFT	6
6	VF48409	GASKET	6
7	VF48403	NUT,M6	6
8	VF48405	PLATE,GRINDING DISC	1
9	VF48404	STUD	6
10	VF48406	SHAFT	2
11	VF48400A	PAD,HOLDER	1
12	VF48402	PAD,RUBBER	1
13	VF48401	PLATE,PAD HOLDER	1
14	VF48119	PLATE	1
15	VA13472	SCREW M4X8	4
16	WV13621	SELF-TAPPING SCREW,ST5X20	4
17	VF47038	BLOCK,AXLE	2
18	VF44012	SCREW,M6X12.7	2
19	VF13666	WASHER,PLAIN ϕ 6	2
20	VF48215	WHEEL,5"	2
21	VF48216	WASHER,LOCK ϕ 13	2
22	VF13503	NUT,LOCK,M8	4
23	VF48104A	AXLE	1
24	VF48103	MOUNTING PLATE	1
25	VF48210	MOUNTING BASE ,GEAR	1
26	VF13494	SCREW M8X30	4
27	VF48113	BASKET,BOTTLE	1
28	VF48418	BOTTLE	2
29	VF48417	NUT	4
30	VF48424	PLASTIC TUBE ϕ 3X ϕ 5	2
31	VF48416	SCREW	4
32	VF48423	PLASTIC TUBE ϕ 3X ϕ 5	2
33	VF48414	COVER	2
34	VF48415	COVER	2
35	VF40800	LABEL	1
36	VF47030	COVER,PLASTIC	1
37	VF14209	SCREW,M5X15	3
38	VF48112	TOP COVER,MOTOR	1
39	VF48106	COVER,MOTOR	1
40	VF48128	GASKET,RUBBER	1
41	YLQ27000	MOTOR,115V 1.5HP	1
42	VF48218	GREASE CUP	1
43	VF40152	BARB,HOSE	1

BASE GROUP FOR AN17SC

DIA NO	PART NUMBER	DESCRIPTION	NO REQ'D
44	VF48101	FRAME	1
45	GT13031	SCREW M6X35	3
46	GT13015	SCREW M6X30	4
47	VF48116	BUMPER	1
48	VF13498	SCREW M6X20	6
49	VF14203	O"RING ϕ 2.65X ϕ 52.6	1
50	VF48109	BRONZE SHAFT	1
51	VF14216	SCREW M6X12	5
52	VF14206	SCREW M10X40	6
53	VF48115	GASKET	12
54	VF48114	GASKET	6
55	VF14205	"O"RING, ϕ 3.55X ϕ 79.6	1
56	VF48102	GEAR	1
57	VF14204	BEARING 7206E	2
58	VF14202	WASHER, LOCK	1
59	VF14221	SCREW M8X20	6
60	VF48102-2	BUSHING STEEL	1
61	VF48107	WORKING, PAD	1
62	VF13513	NUT, M8	6
63	VF48108	WASHER	6
64	VV13605	SCREW M6X16	6
65	VF14223	SCREW M6X25	6
66	VF48120	PLATE, DRIVE	1
67	VF48105	SCREW	1
68	VF14207	NUT, M10	6
69	VF48123	CLAMP, CAPACITOR	1
70	VA13482A	WASHER, PLAIN ϕ 5X ϕ 11X0.7	2
71	VA13476	SCREW M5X40	2
72	VF48124	PLASTIC TUBE	2
73	VF999841	START-UP CAPACITOR, 400MF/300V	1
74	VF999805	RUNNING CAPACITOR, 50 μ F/370V	1
75	VF48126	CABLE	4
76	VF48125	PLASTIC TUBE	1
77	VA13475	SCREW M5X25	2

Directions for the grinding and crystallization processes.

<1> Grinding process

Prepare the following tools and items: grinding disc holder, grinding disc (usually the granularity is 300#. 500#. 2000#), window squeegee, wet vacuum cleaner, "caution wet floor" caution signage.

Attach the base grinding disc to the grinding disc holder (first use the grinding disc with smallest granularity (the smaller the granularity number, the coarser the disc)) and then fit it onto the machine. Fill the tank with water.

Turn on the machine, put clean water on the floor. Grind slowly and evenly. Remove the water on the stone surface using a window squeegee. Repeat the procedure as required until there are no marks on the floor.

Pick up the powder thoroughly using wet/dry vacuum cleaner, and replace the grinding disc with the next larger granularity. Use the above directions, and continue grinding until the result is acceptable.

The floor **MUST** be cleaned thoroughly before beginning the crystallization process.

Caution, Make sure there is no sand on the floor. The grinding disc should be installed uniformly. Be sure to grind slowly and evenly with enough water. You must completely remove the powder from the last process before beginning next process. Immediately clean the floor with the vacuum cleaner, replace the grinding disc from coarsely granular to finely granular. You can't skip steps. There is coarse grind, half-finishing grind and finishing grind, During finishing grind, if you feel resistance, you can reduce the quantity of grinding.

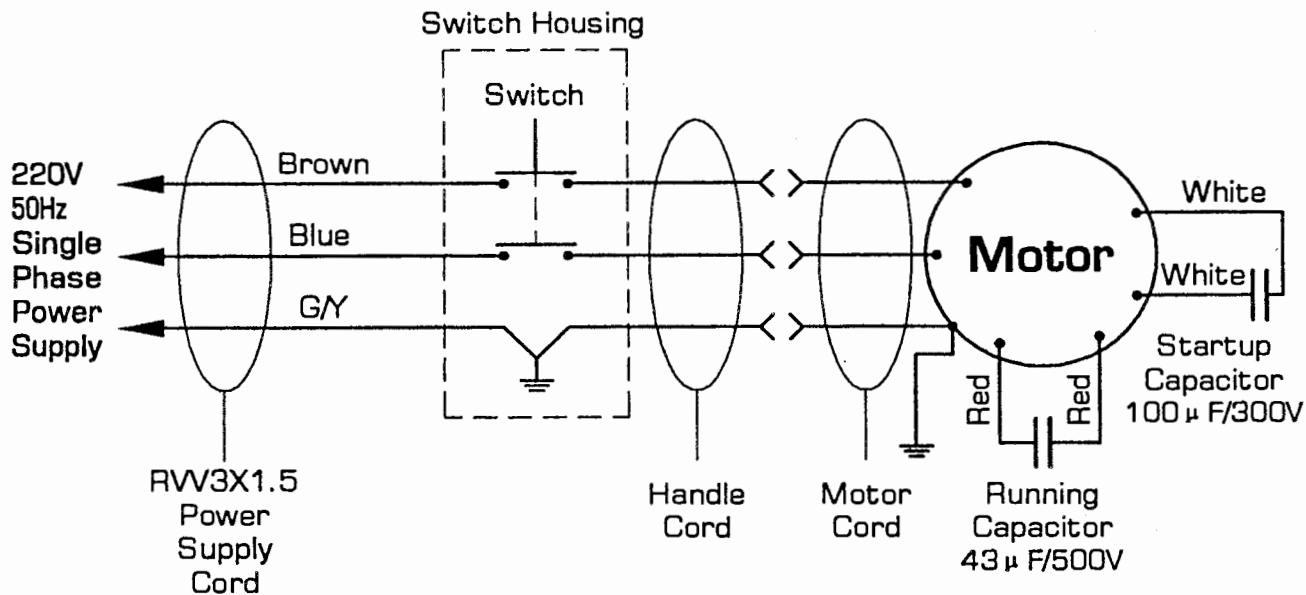
<2> Crystallization process.

Prepare the following tools and items: pad driver, fiber pad (steel pad), dust mop, K2 stone treatment, or K3 stone shining plasm, or crystallization powder. Fit the pad driver onto the machine, then attach the fiber pad (steel pad). Turn on the machine, grind and spray K2 chemical simultaneously. Apply the chemical on the floor uniformly, and then spray K3 chemical. Rub to a high gloss and enter the next area. If using the crystallization powder, you can mix the powder with water and then spray this directly to the floor.

Caution: It's best if there is no wax application on the floor. The floor **MUST** be free of water and dirt. The color of the pad is white (or colorless). Replace pad if dirty.

Wiring Diagram

AN17SC 220V



AN17SC 120V

